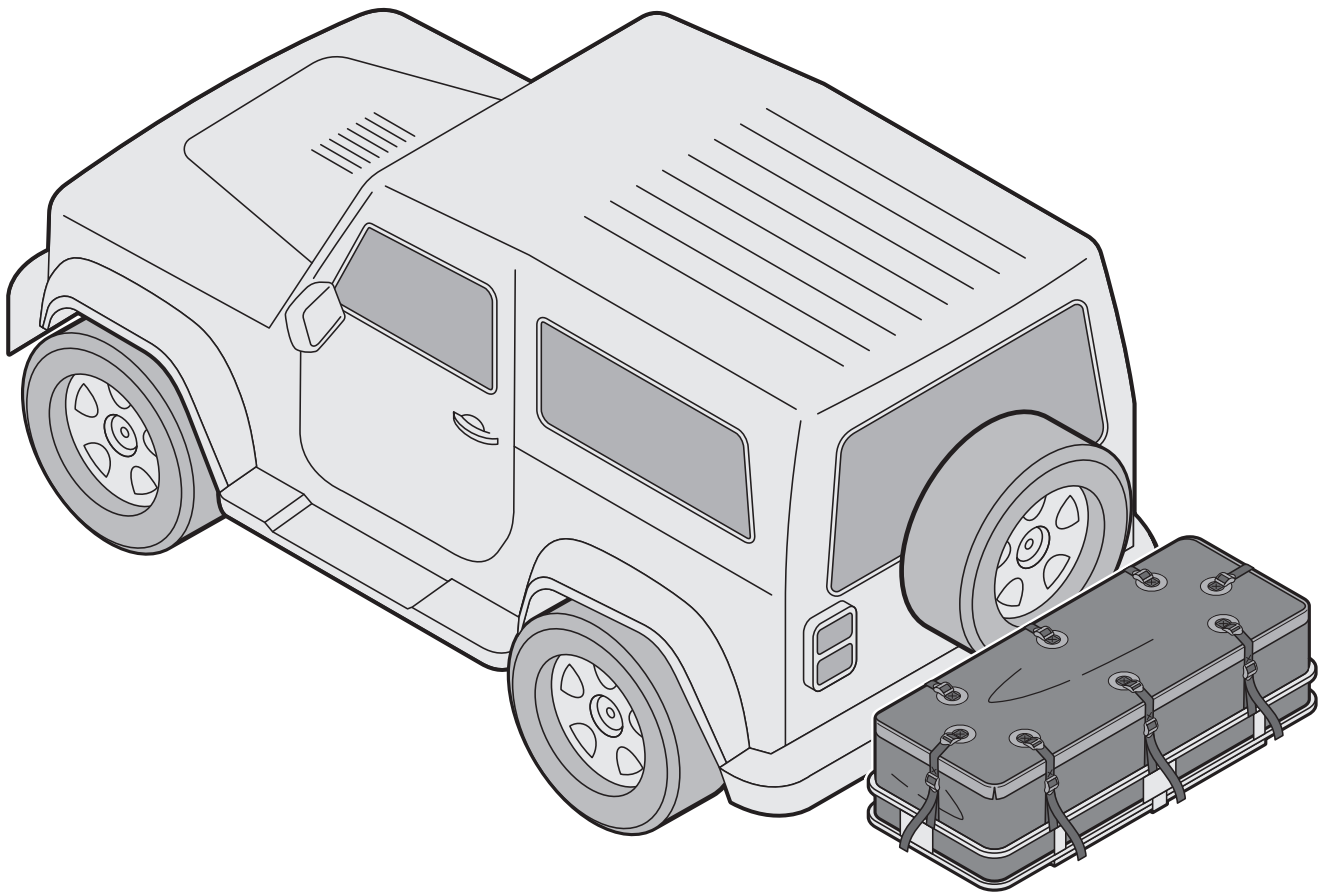




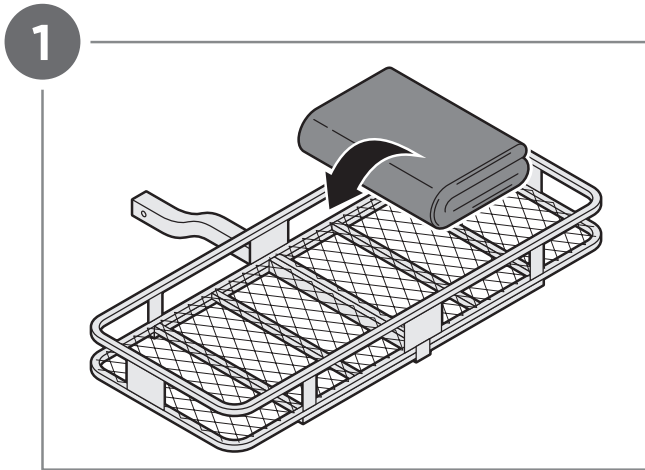
BagMate

Hitch Mount Cargo Carrier Bag

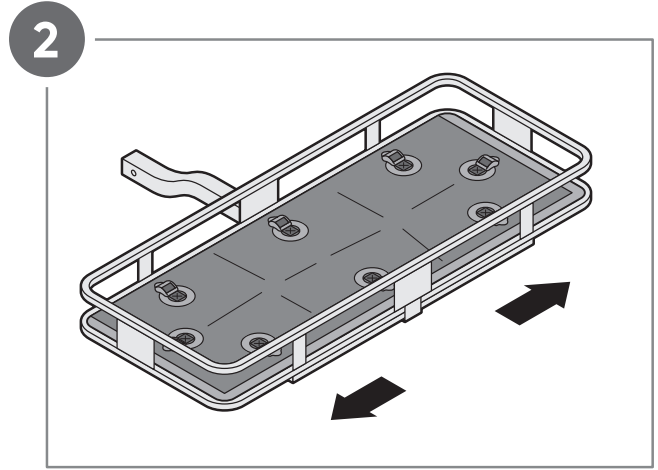


User Manual

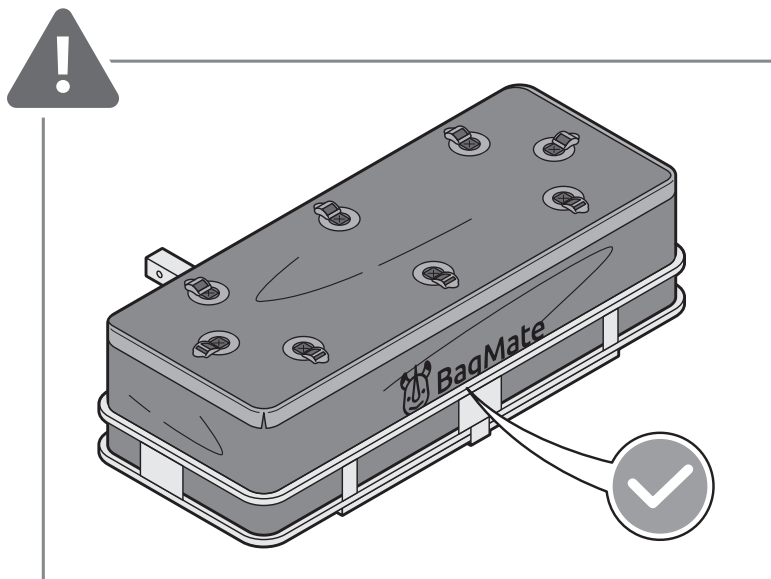
How to Install and Use Your New Rhino Bagmate Hitch Mount Cargo Carrier Bag



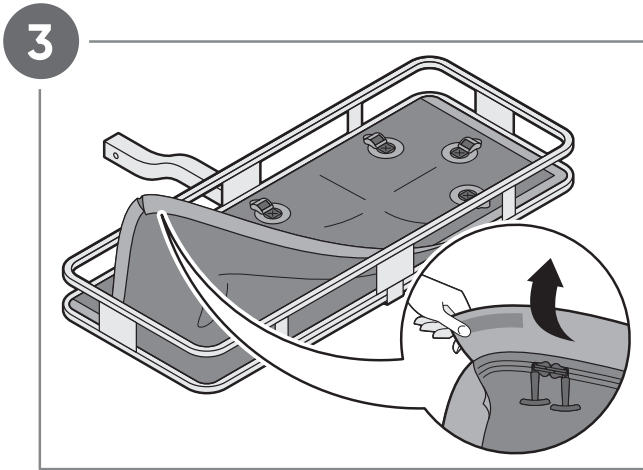
1 Unfold the BagMate over your hitch mount cargo carrier.



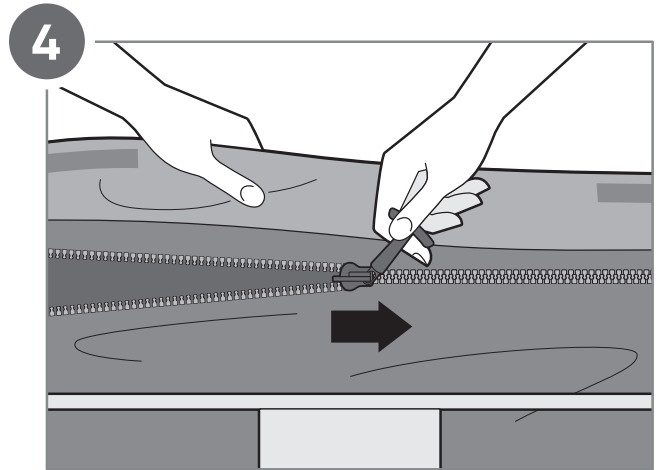
2 Fully unfold the bag and make sure it's centered inside the rack.



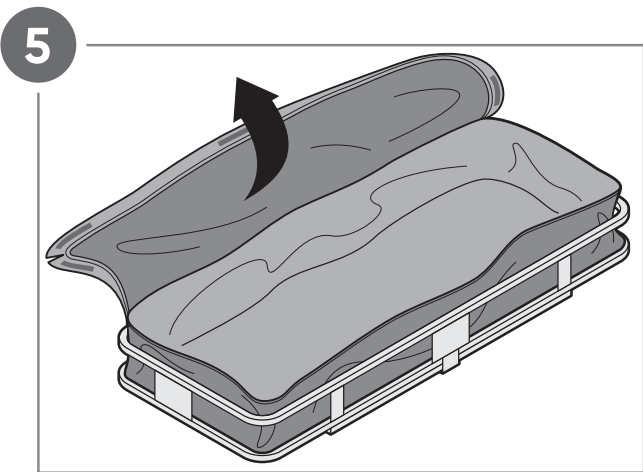
IMPORTANT: Make sure that the side with the zippers (marked by the BagMate logo) is on the right side!



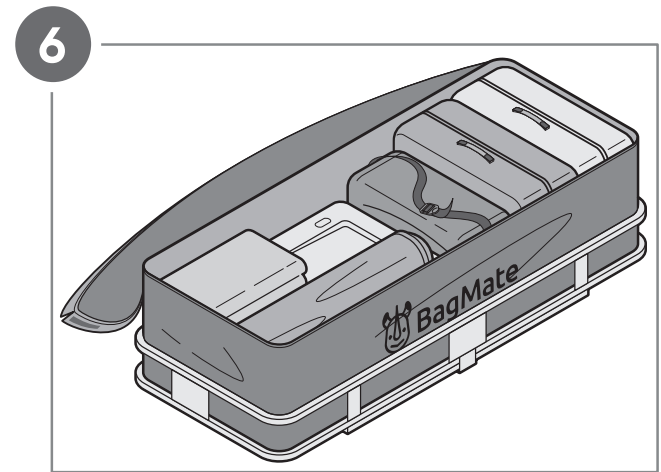
Open the flaps.



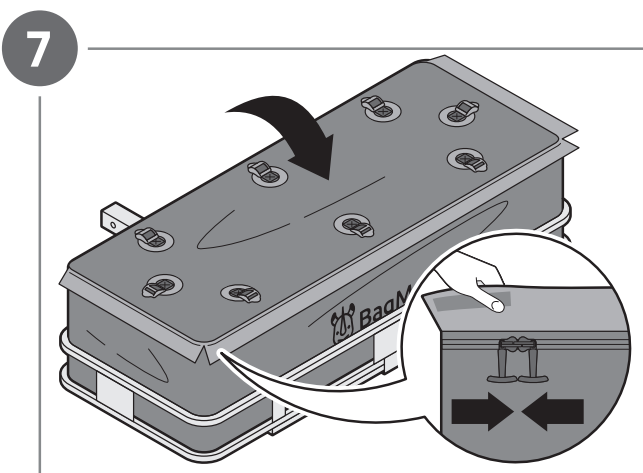
Unzip the cargo bag.



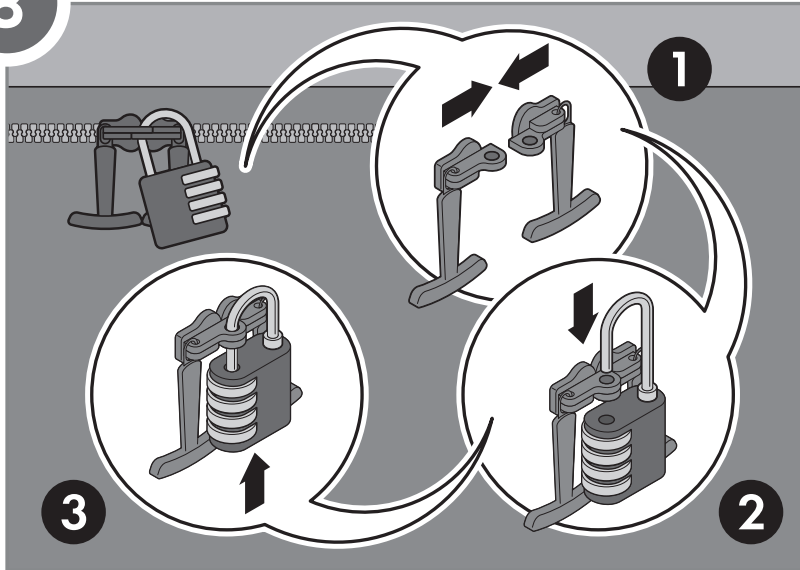
Open the top cover.



Load the cargo into the bag.



Close the top cover and zip the zippers so the pullers meet under the flap.

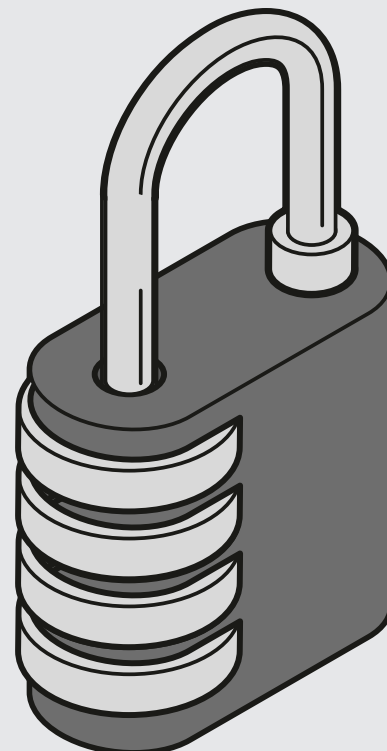
8

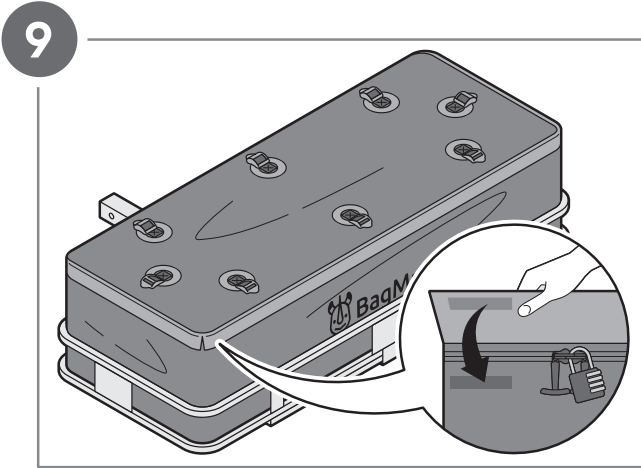
Use the included combination lock to safeguard your cargo inside the bag:

1. Close the zipper pullers tightly so the little rings on the pullers meet.
2. Insert the lock shackle inside the opening formed by two pullers' rings.
3. Close the combination lock shackle and scramble the numbers.

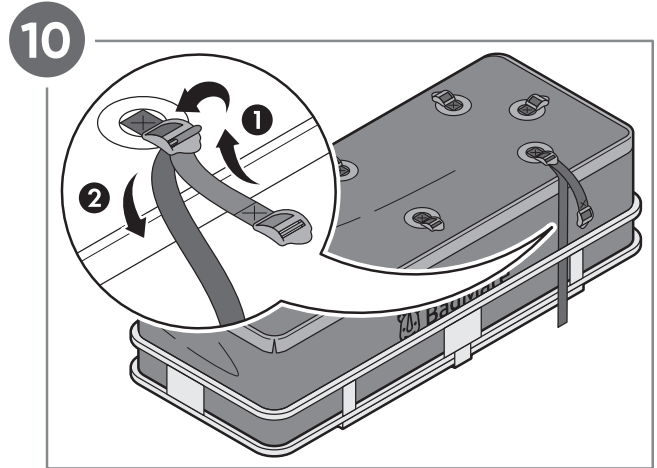
How to use your combination lock:

1. Set the dials to 0-0-0-0 (this is the original combination).
2. Pull the lock shackle up.
3. Rotate the shackle 90° counterclockwise and hold it down.
4. While holding the shackle down, set your combination by turning the dials to the convex line. Continue holding the shackle down till you finish.
5. Raise the shackle and turn it back to normal position. The setting is now completed.
6. To lock the lock, close the shackle and scramble the numbers.
7. To open the lock, dial the numbers you set and pull the shackle up.
8. To reset the combination, repeat steps 2 - 5 of this guide.

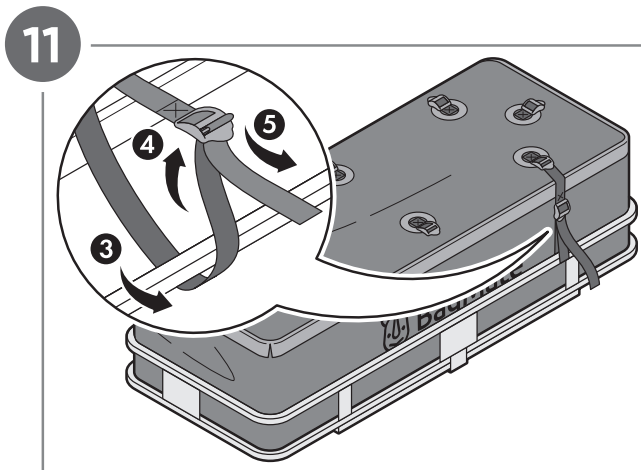




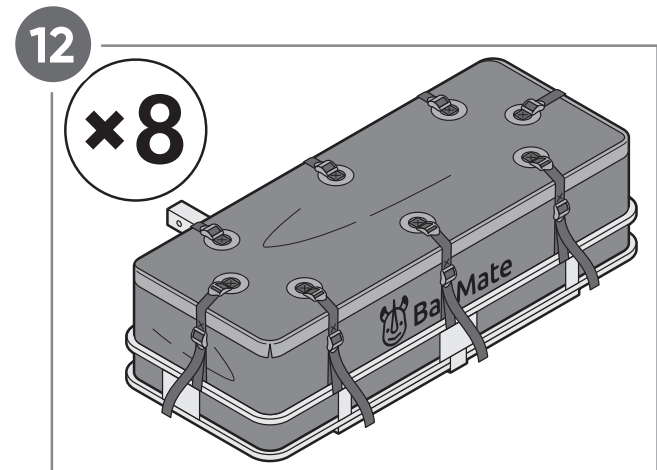
Close the flaps from all sides, and fasten the hook-and-loop fasteners.



Guide the tie-down strap through the buckle, as shown in the picture.



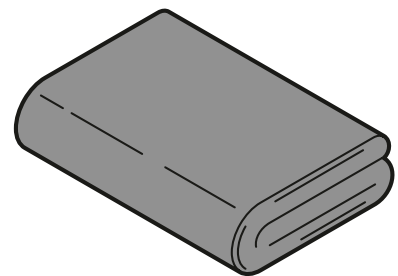
Guide the strap under the rack bar and into the second buckle, as shown in the picture.



Repeat steps 10-11 with all the eight tie-down straps. Tighten the straps to secure the bag in the rack.

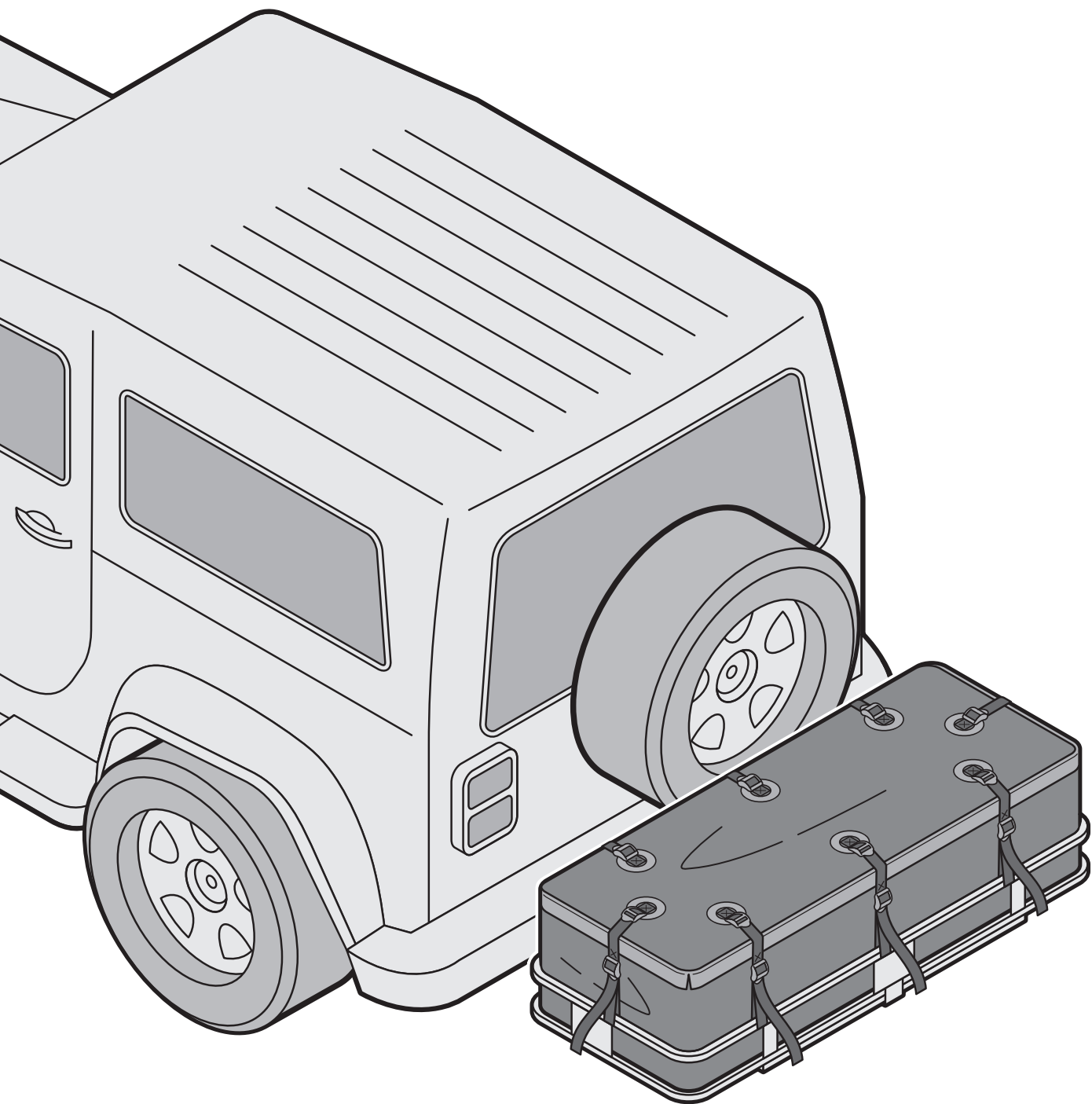
The setup is finished!

After you finish using your bag, you can fold and store it until the next time!



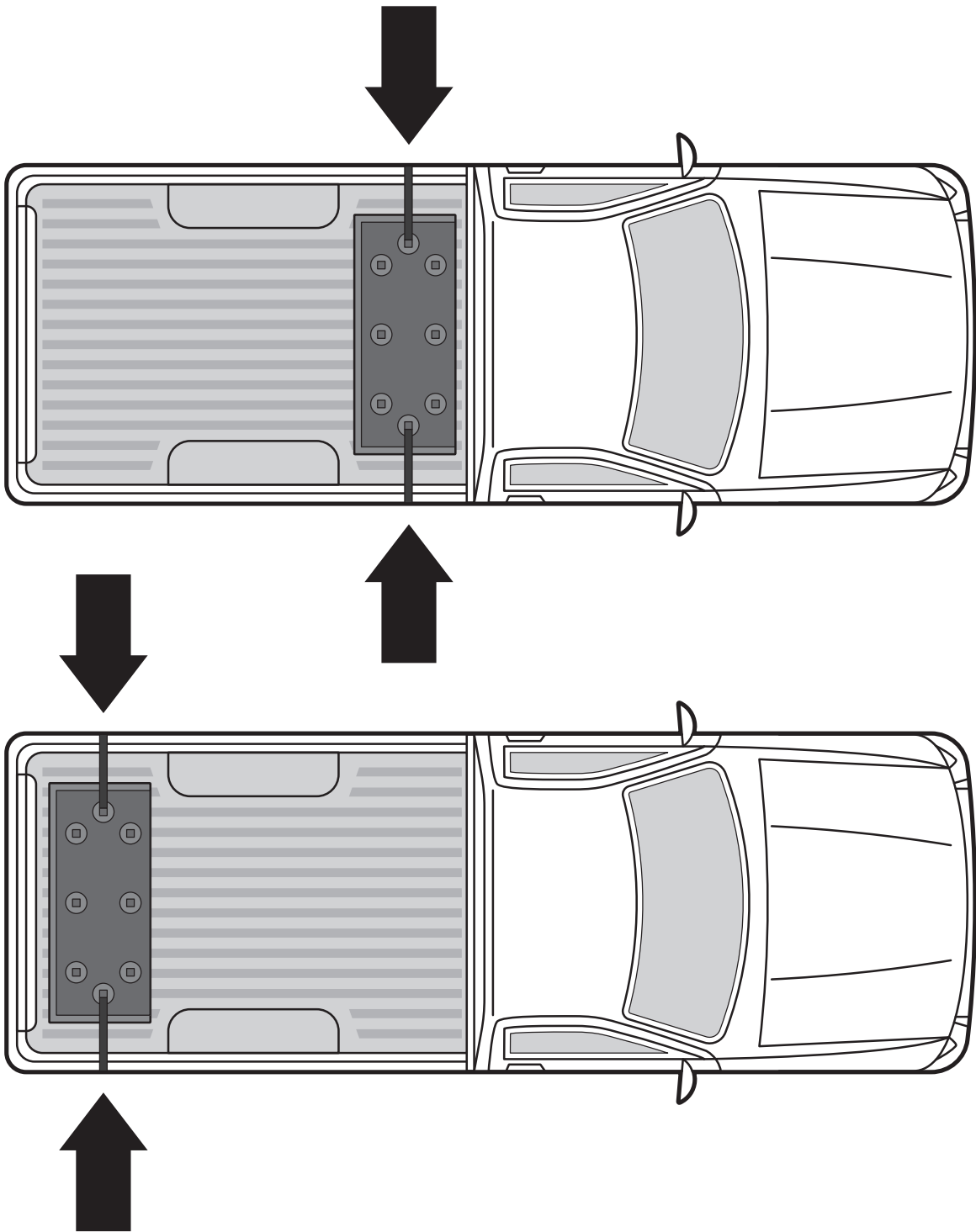
IMPORTANT! If your BagMate is wet after use, make sure it has dried up completely before you fold it for long-term storage!

**Your baggage is safe now.
Enjoy your journey!**



The Hitch Mount Cargo Carrier Bag can fit perfectly in the back of your pickup truck!

You can connect the tie-down straps to any tie-down point in your pickup truck bed.





Thank you for choosing BagMate!

Be sure that this strong, large, and waterproof bag will help you keep your items organized and safe during your journeys.

We're here to help!

At BagMate we stand behind our products, and our team will be glad to help you out with instructions, product care, or any other issue that you might have.

If you require assistance or advice, please email us at: hello@myrhinoproducts.com

**Our top priority is your satisfaction
and confidence in products we
manufacture.**