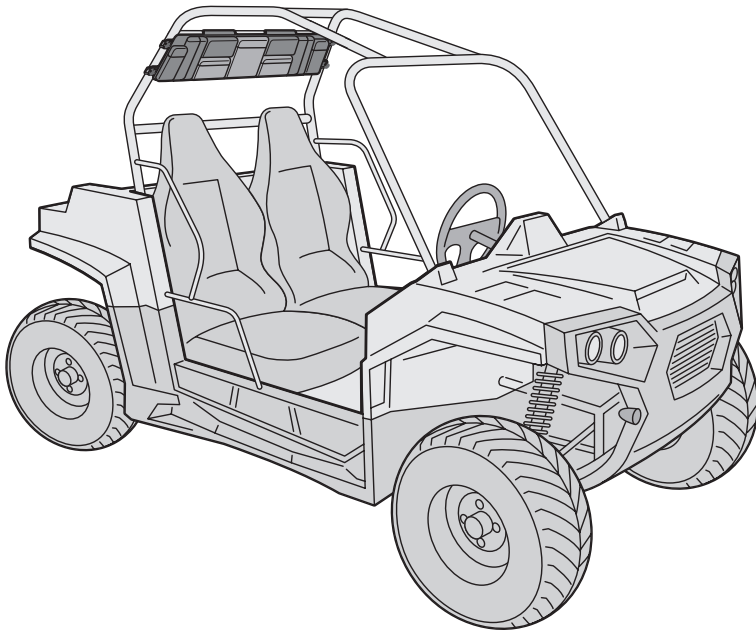




**RoadMate**

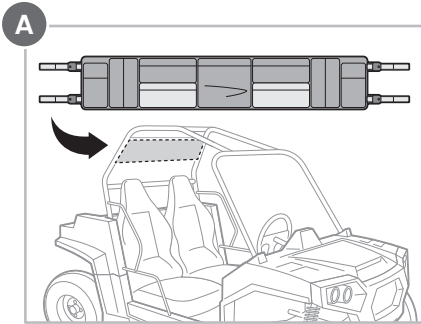
# **UTV Storage Organizer Bag**



# **User Manual**

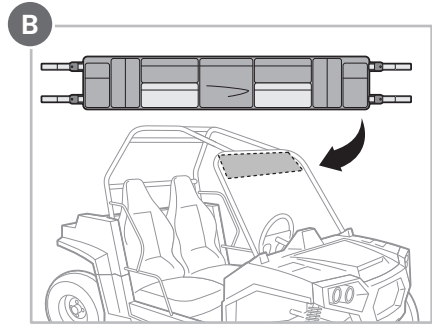
# How to Install and Use Your New RoadMate UTV Storage Organizer Bag

You can install the bag on the front or the rear part of the cage. Before you start installing the bag, make sure that the pockets are facing the inside of the cabin.



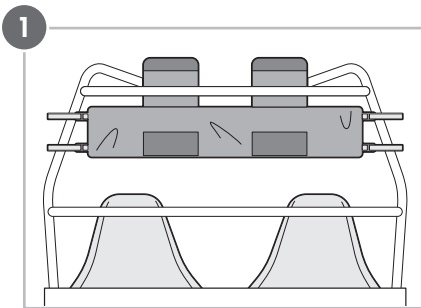
On the rear part of the cage, over the horizontal bar.

This is the most popular place for an organizer bag installation.

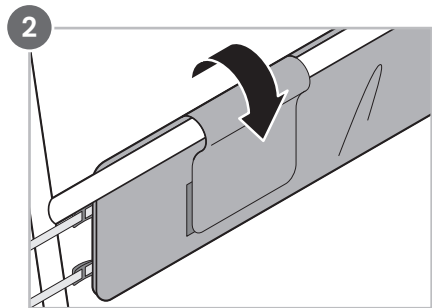


On the front part of the cage, over the horizontal bar.

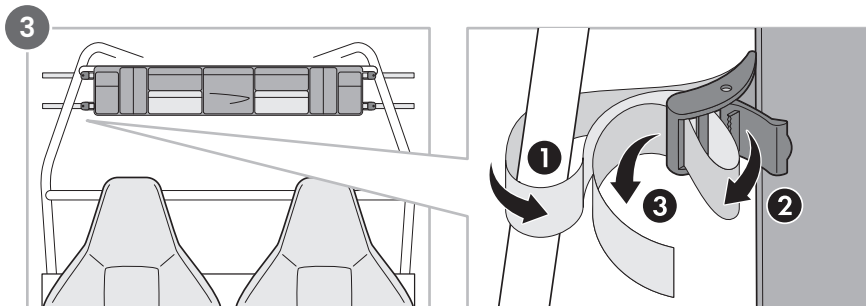
**IMPORTANT!** For your safety, make sure that the bag doesn't block the front view!



Undo the hook-and-loop fasteners and put the flaps around the horizontal bar.

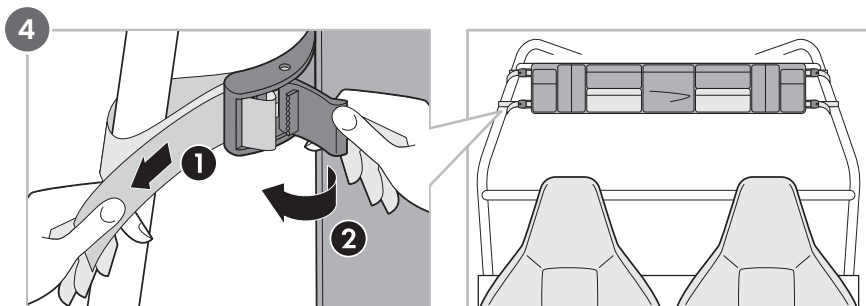


Fasten the flaps with the hook-and-loop fasteners.



Wrap the belt around a side bar, put it back into its buckle, and pull until the belt is taut, but do not tighten it hard.

**x3** Repeat for the remaining three belts.



When all the four belts are done, tighten them all sufficiently for the bag to be reliably fixed. Lock all the four buckles by pressing their lids down.

## Installation is complete:

Enjoy the convenience of more storage space in the UTV.

**IMPORTANT!** The two translucent white pockets are waterproof, while the entire bag is only splashproof. If the bag gets wet as you use it, make sure it dries up completely before you fold it for long-term storage.



# Thank you for choosing RoadMate!

Be sure that this useful bag will help you keep your things organized and safe during your journeys.

## We're here to help!

At RoadMate we stand behind our products, and our team will be glad to help you out with instructions, product care, or any other issue that you might have.

If you require assistance or advice, please email us at: [hello@myrhinoproducts.com](mailto:hello@myrhinoproducts.com)

**Our top priorities are your satisfaction and your trust for the products we make.**

