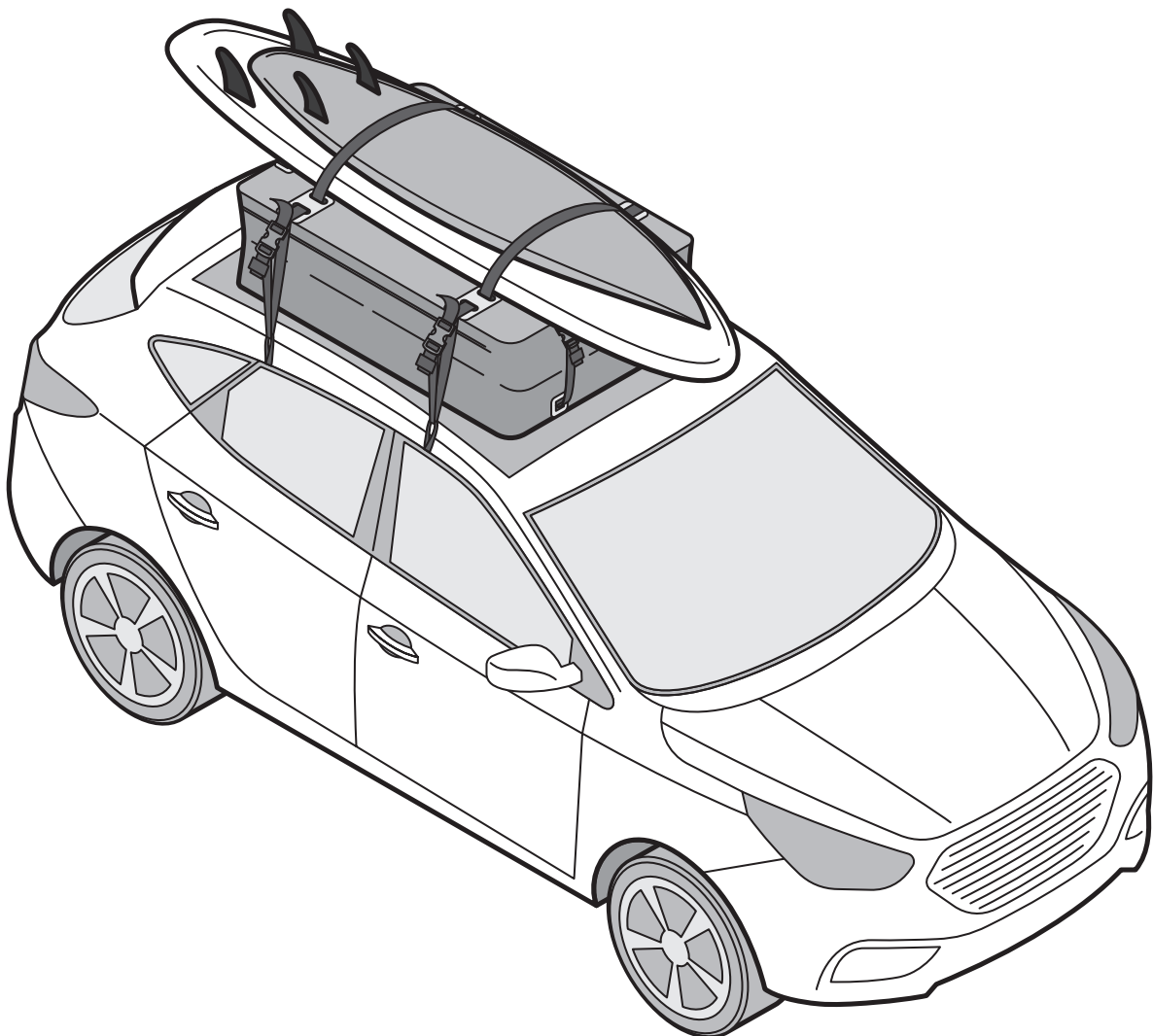
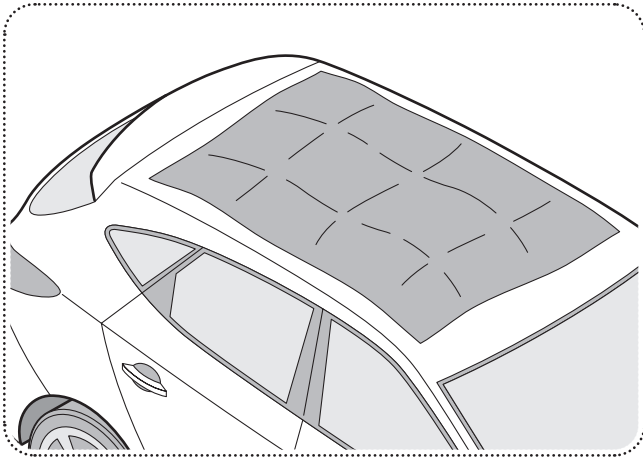




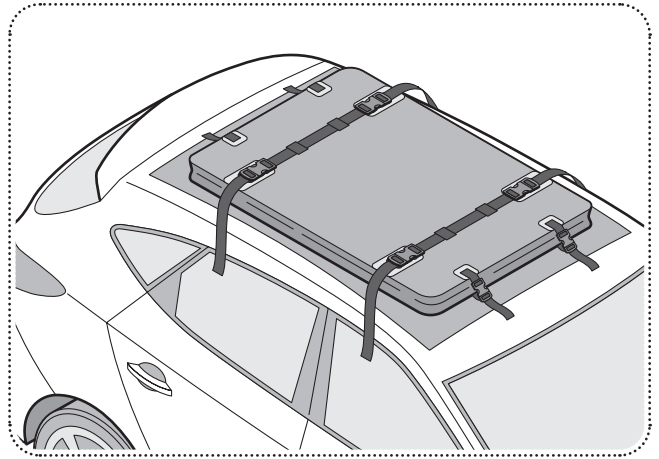
User Manual

19 Ft³ Rooftop Bag

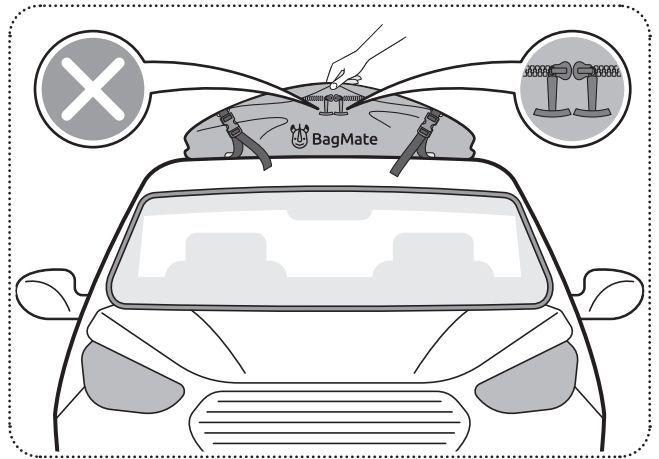
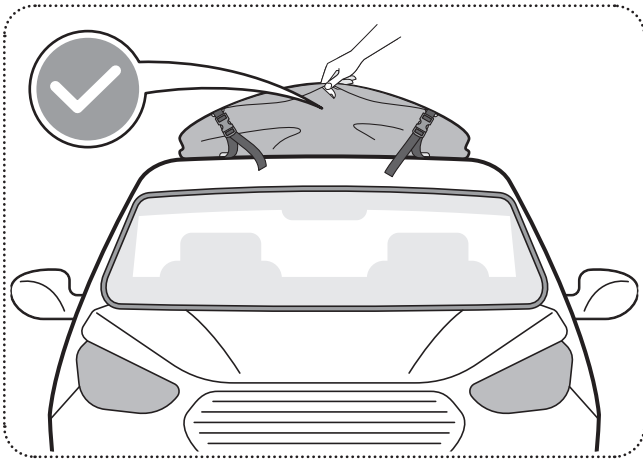




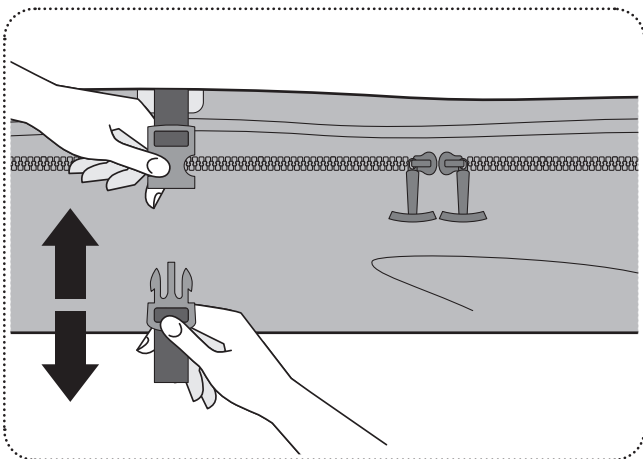
1 Place the protective pad on the roof of your car.



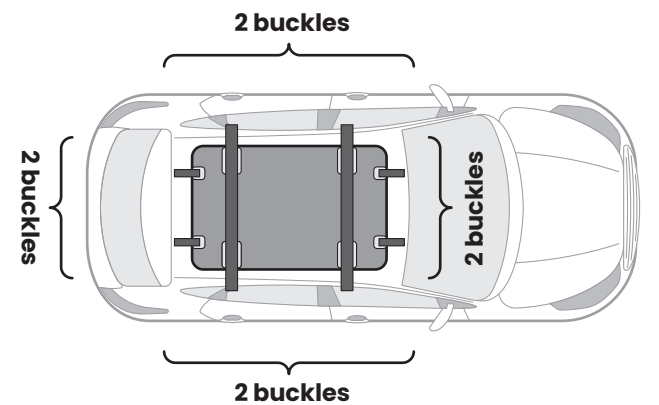
2 Unfold the BagMate over the roof of your car.

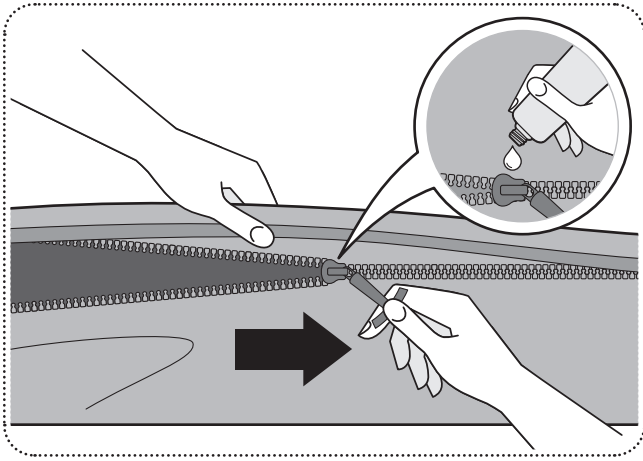


! IMPORTANT: Make sure the side without the zippers and without the BagMate logo is in the front.



4 Open all the buckles. (8 buckles in total)

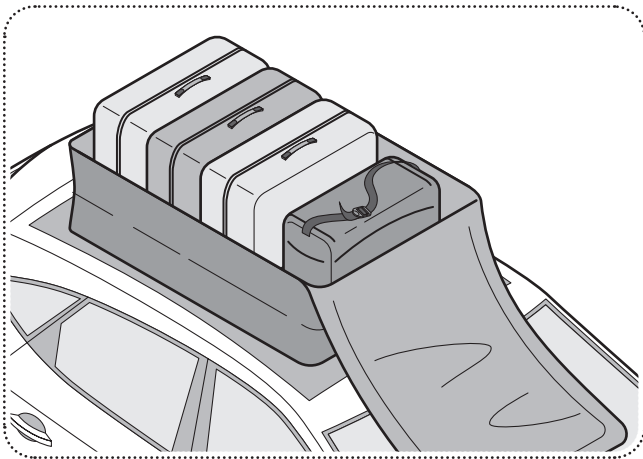




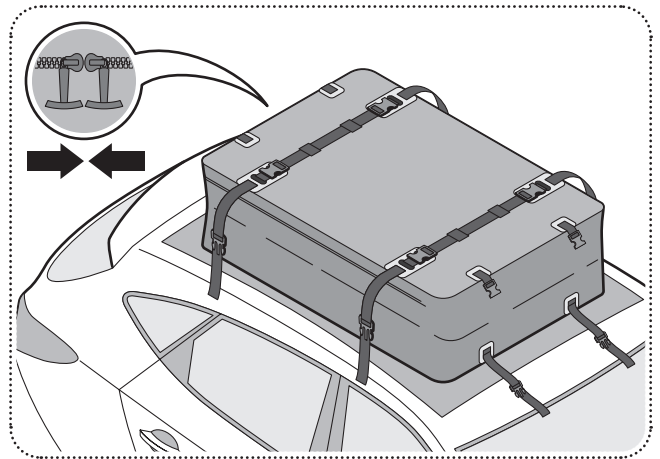
5 Unzip the bag.



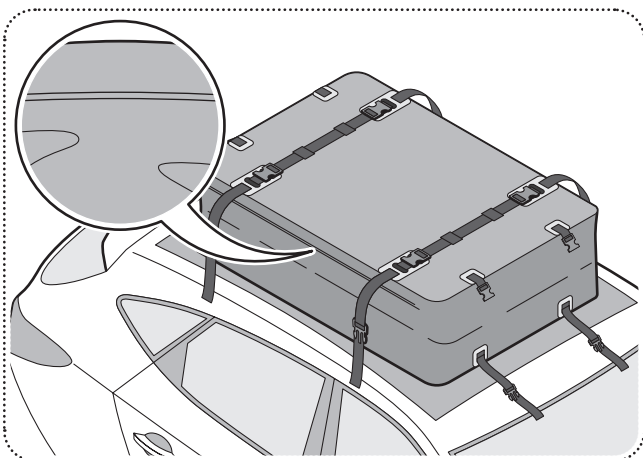
Tip: for smoother zipping and unzipping, and also for better waterproof qualities, we advise lubricating the zipper head with a few drops of the zipper lubricant included in the package.



6 Open the top cover of the bag and load the cargo.



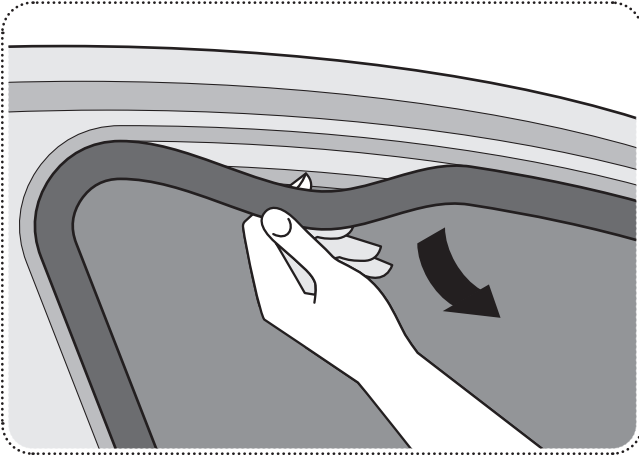
7a Zip up the bag. Make sure the zipper heads meet at the rear side of the bag.



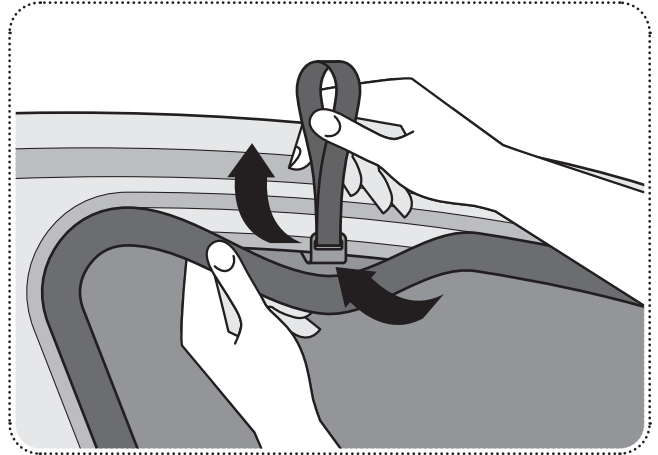
7b Make sure the zipper cover is down, covering the zipper along all the three sides of the bag.



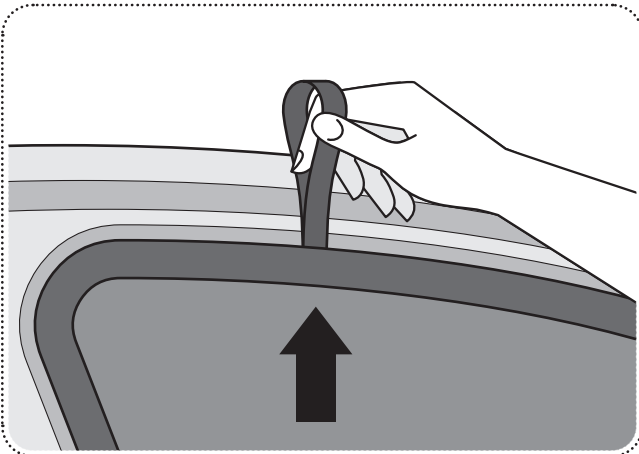
ONLY for a car without roof rails: install the hooks



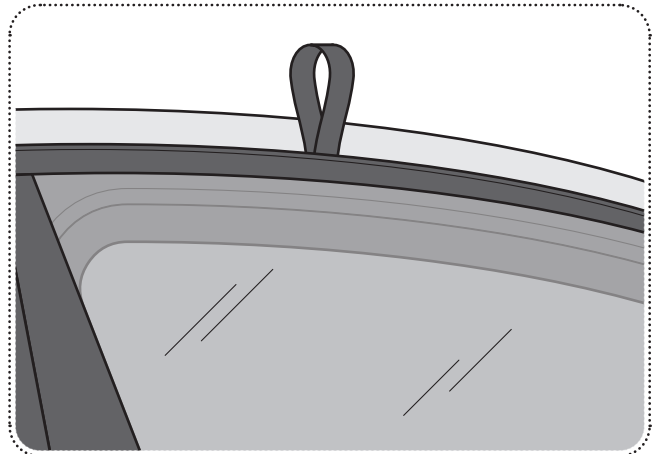
8a Open the door and pull the door weather stripping down.



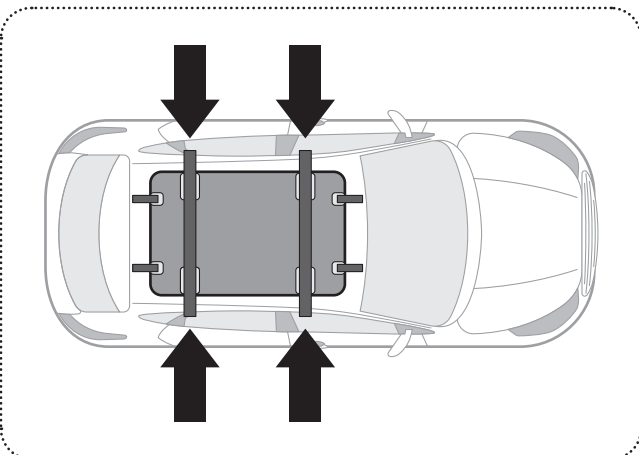
8b Holding the strap loop upwards, insert the hook around the middle of the door.



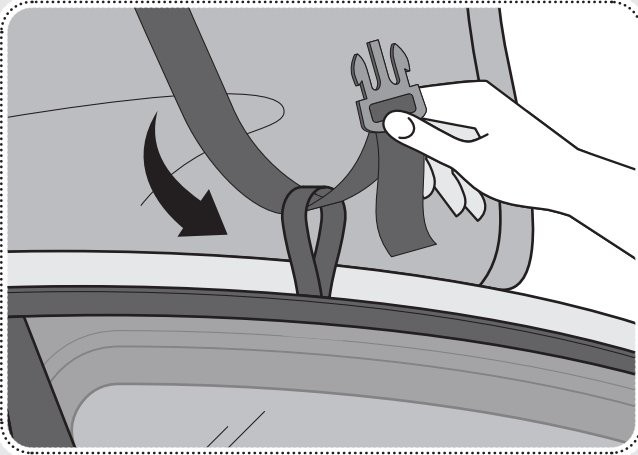
8c Pop the door weather stripping back in place.



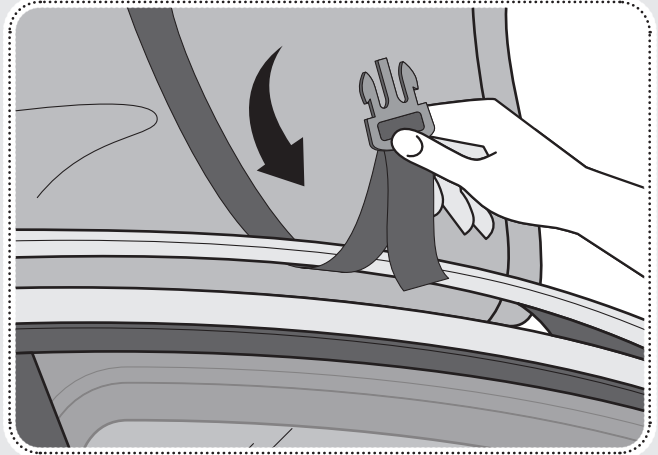
8d Close the car door.



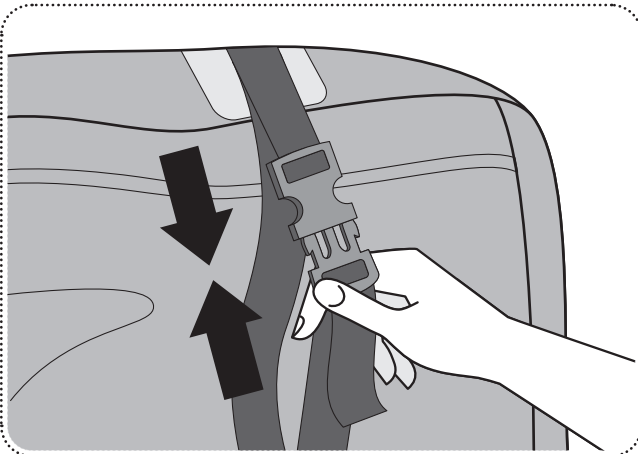
8e Repeat steps 8a–8d for all the four doors of the car



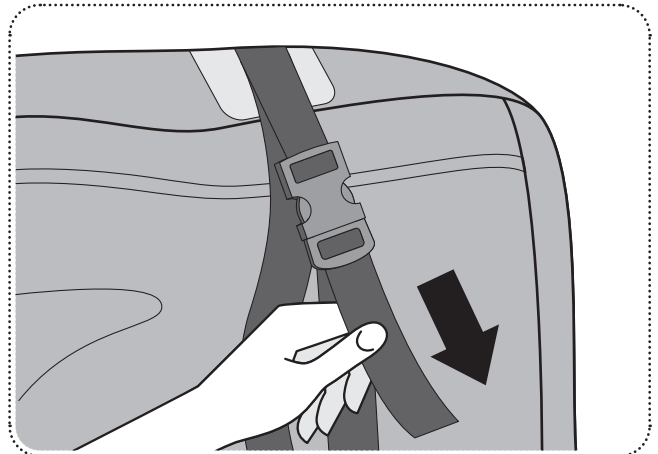
9a Guide the wide strap through the loop.



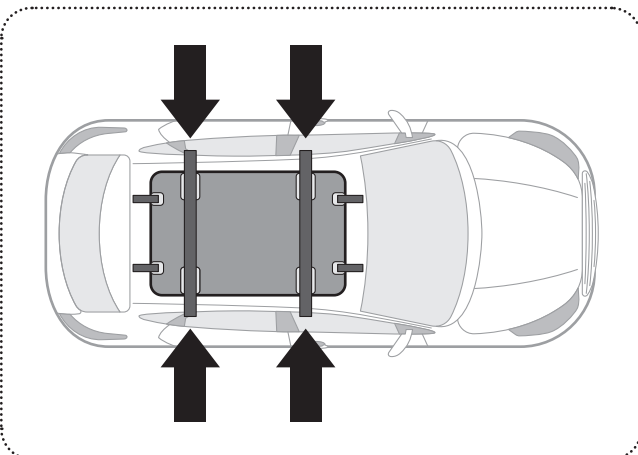
9b If your car has roof rails, guide the wide strap through the rail.



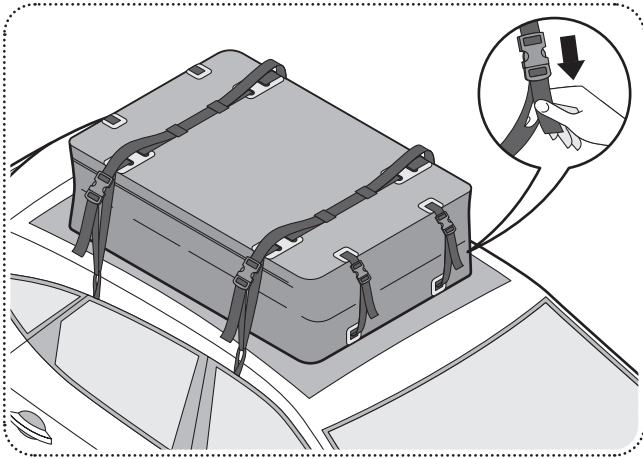
10 Close the buckle.



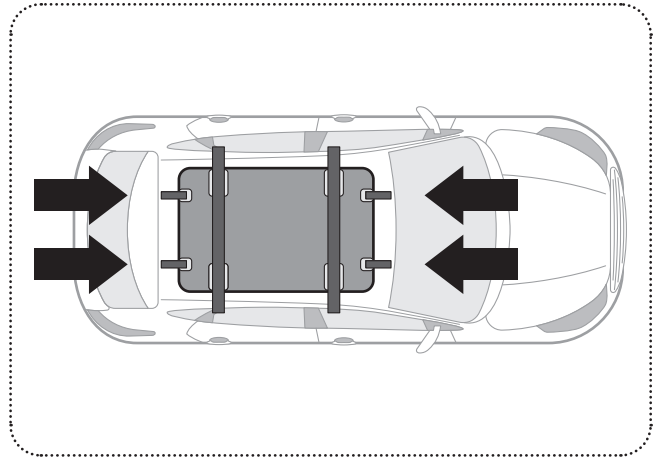
11 Tighten the strap by pulling the loose end of the strap down.



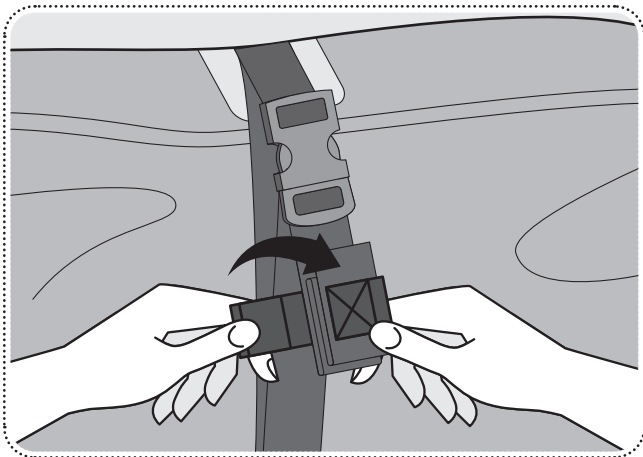
12 Repeat steps 9-11 with all the four wide straps.



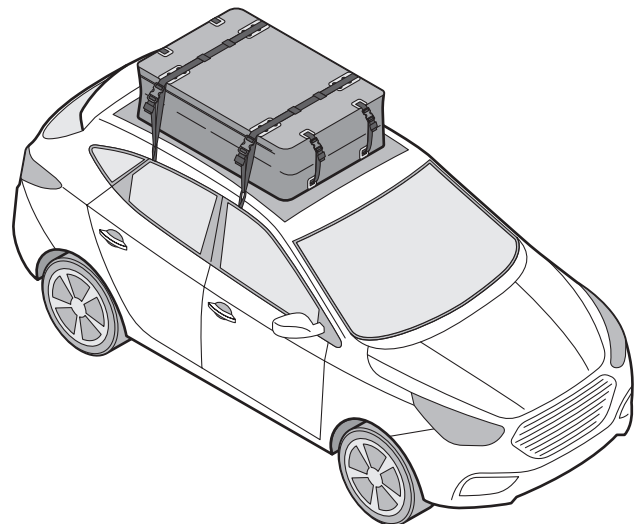
13 Tighten the bag with the narrow straps on the front and rear sides of the bag.



14 Make sure you tighten all the four narrow straps.



15 Fold the loose ends of all the straps and tie them up with the built-in hook and loop fasteners.



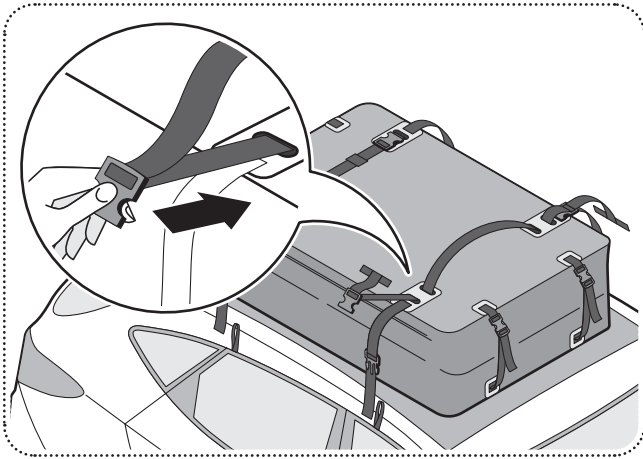
**Your baggage is safe now.
Enjoy your journey!**

 **BagMate**

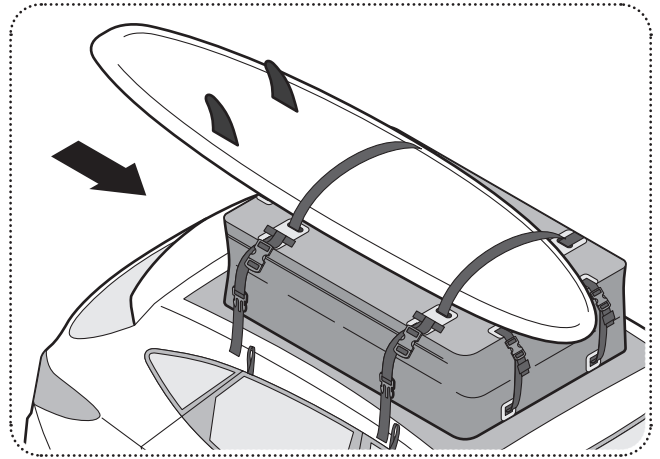


IMPORTANT! If your BagMate is wet after use, make sure it has dried up completely before you fold it for long-term storage!

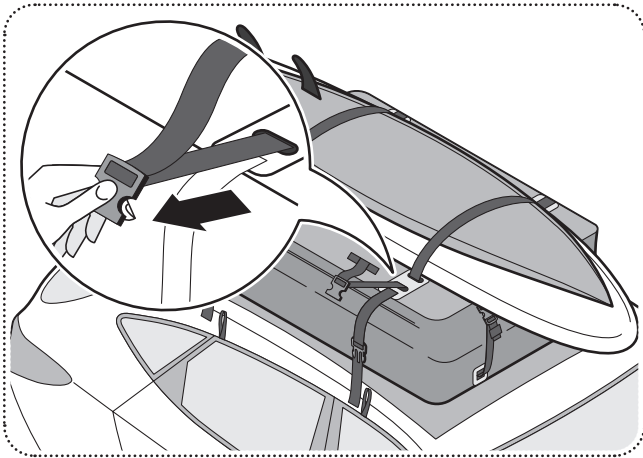
Loading extra items on top of the BagMate



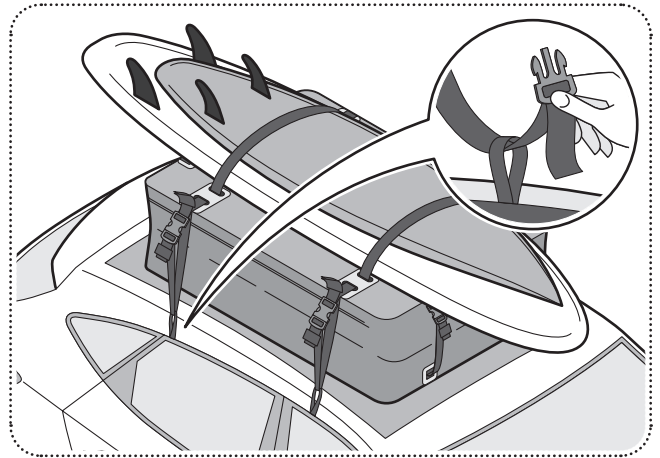
16 Unlock the buckles on the wide strap. Loosen the strap on the top of the bag.



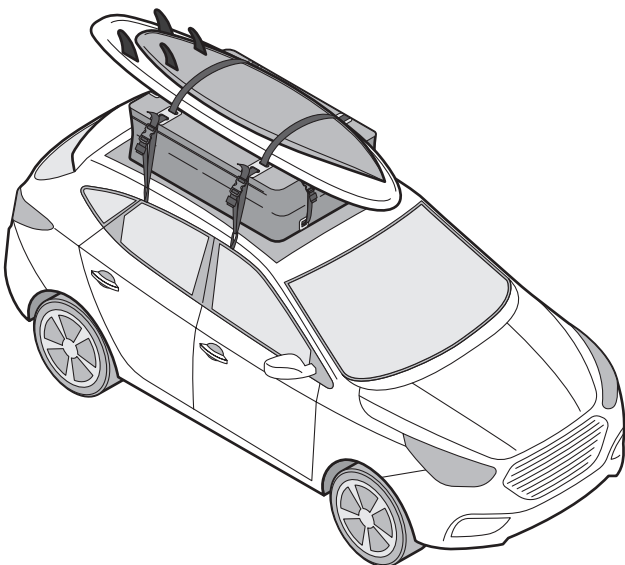
17 Insert the item or items.



18 Tighten the wide straps to fixate the items firmly by pulling the strap end with the buckle.



19 Repeat steps 9-11 with all the four wide straps.



Enjoy Your Journey!

 **BagMate**



Thank you for choosing BagMate!

Be sure that this strong, large, and waterproof bag will help you keep your items organized and safe during your journeys.

We're here to help!

At BagMate we stand behind our products, and our team will be glad to help you out with instructions, product care, or any other issue that you might have.

If you require assistance or advice, please email us at: hello@myrhinoproducts.com

**Our top priority is your satisfaction
and confidence in products we
manufacture.**