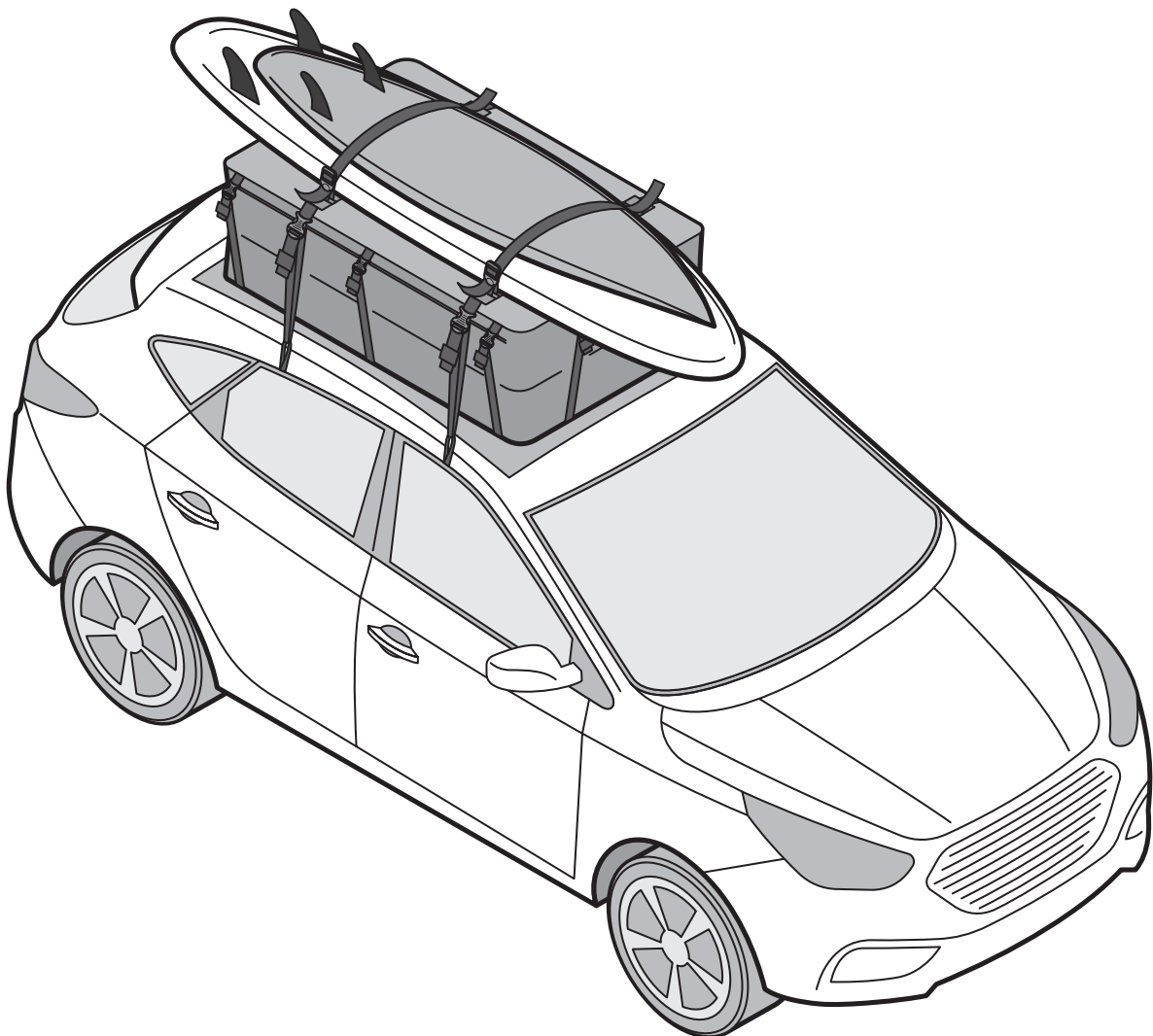
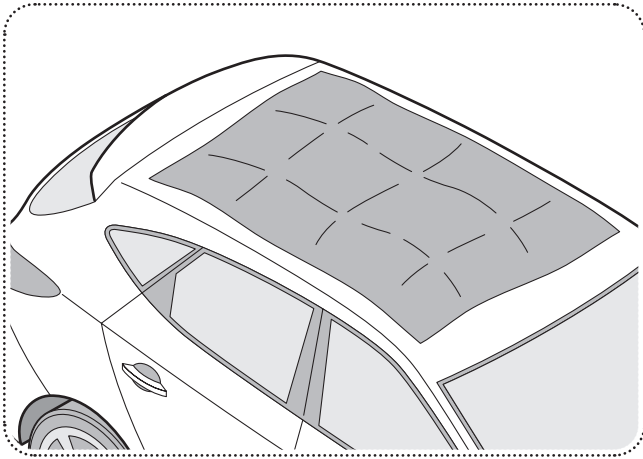




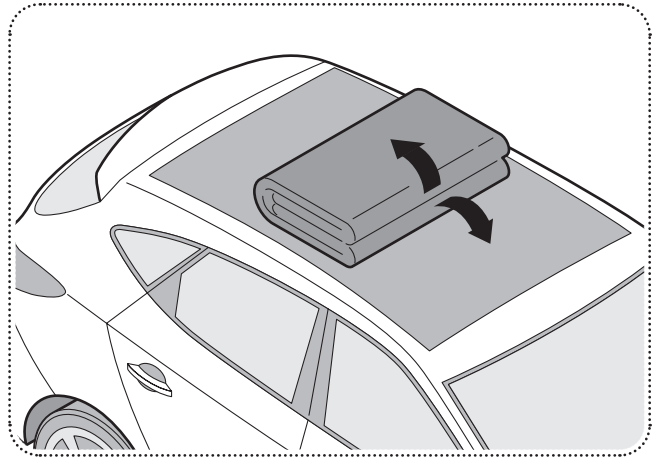
# User Manual

## 23 Ft<sup>3</sup> Rooftop Bag

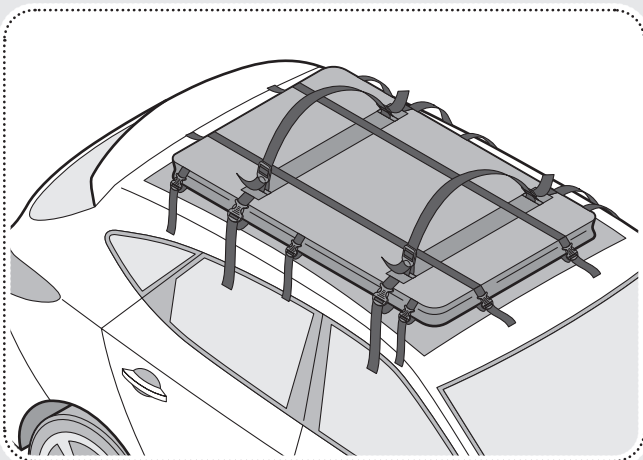




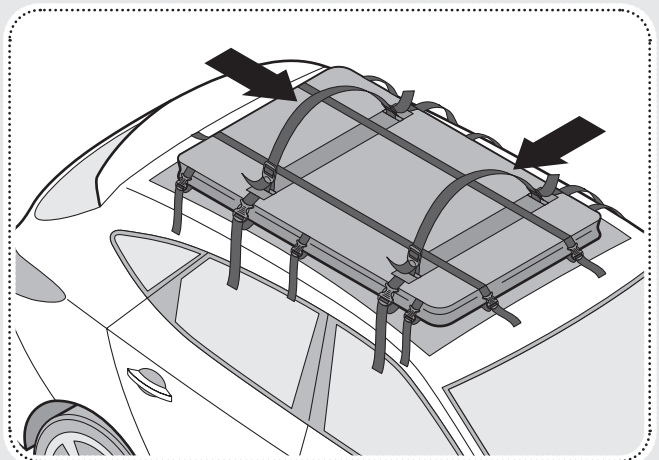
**1** Place the protective pad on the roof of your car.



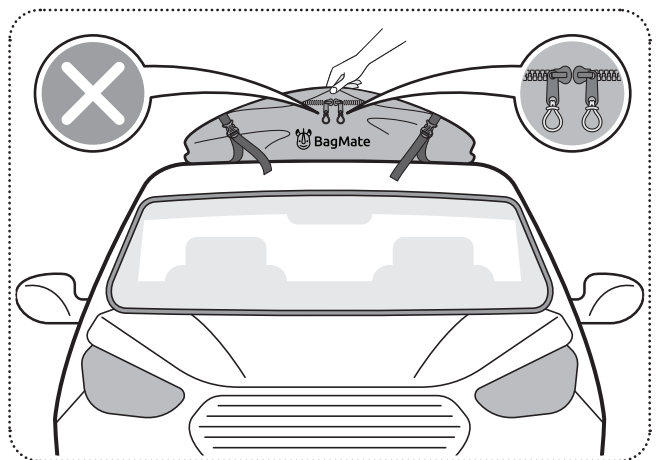
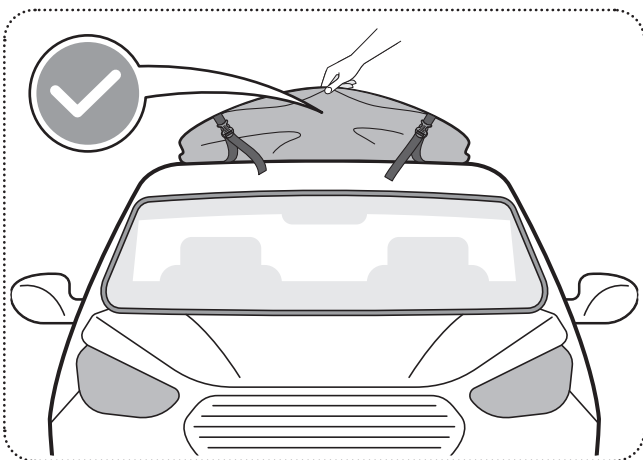
**2** Place the BagMate on the pad.



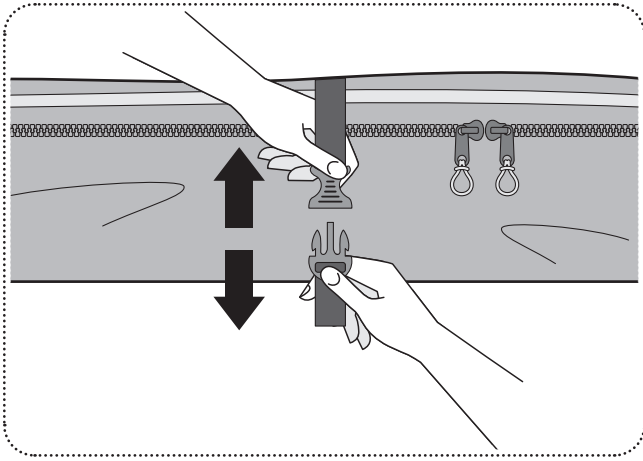
**3a** Unfold the BagMate over the roof of your car. Make sure that the grey part is facing upwards.



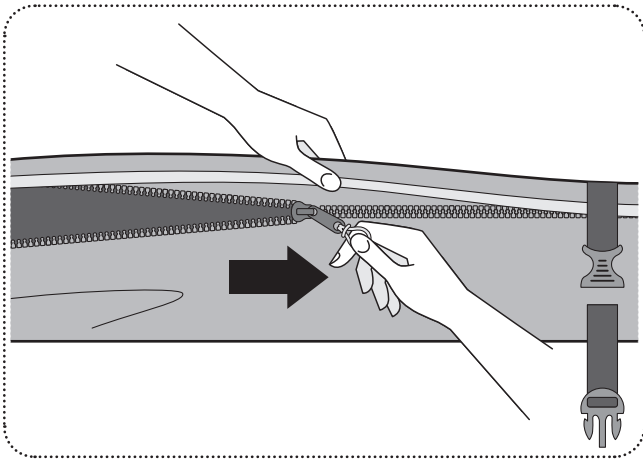
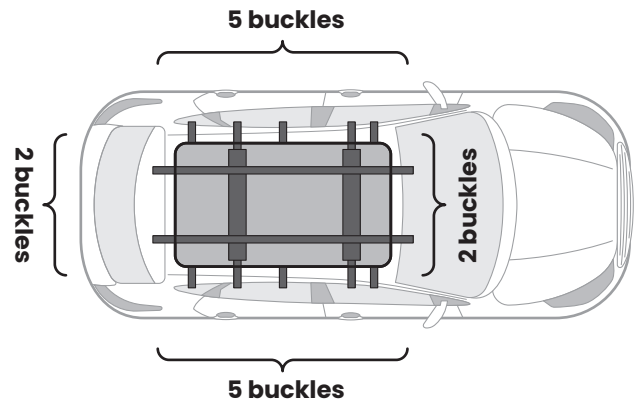
**3b** These removable straps are for an additional load on top. If you don't plan on loading extra items on top, please remove the straps. More info on page 6.



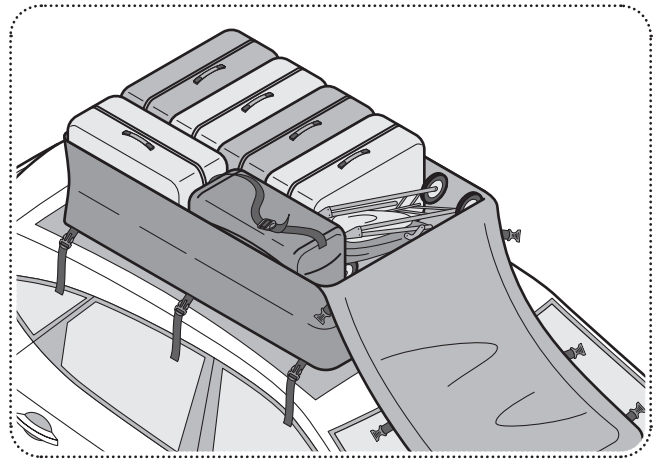
**IMPORTANT:** Make sure the side without the zippers and without the BagMate logo is in the front.



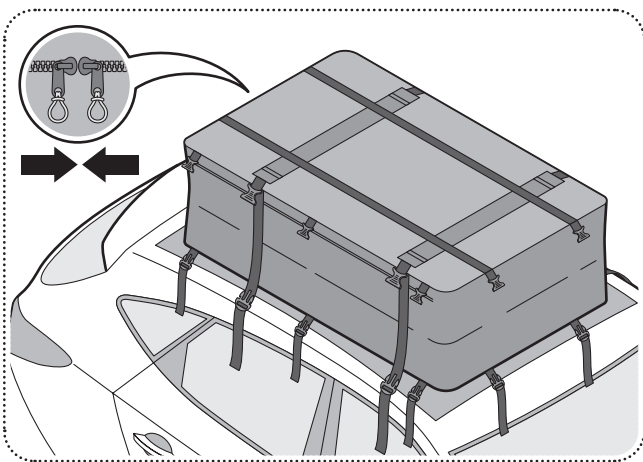
**4** Open all the buckles.  
(14 buckles in total)



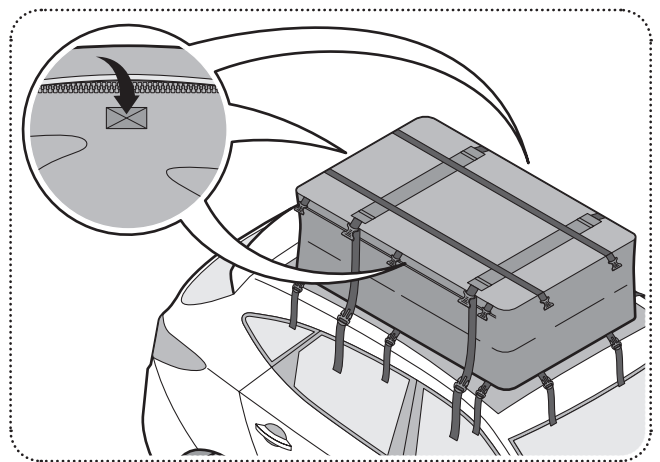
**5** Unzip the bag.



**6** Open the top cover of the bag and load the cargo.



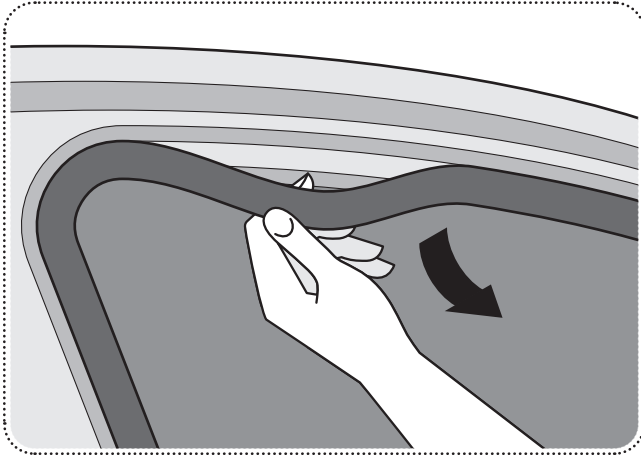
**7a** Zip up the bag.



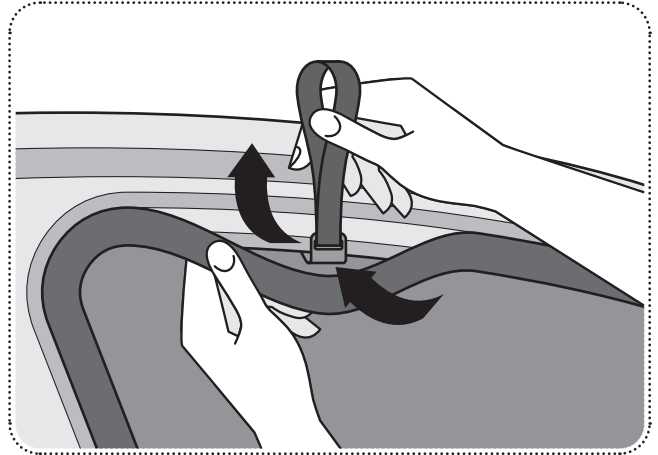
**7b** Make sure the zipper cover is down and fastened with the hook and loop fasteners at all sides.



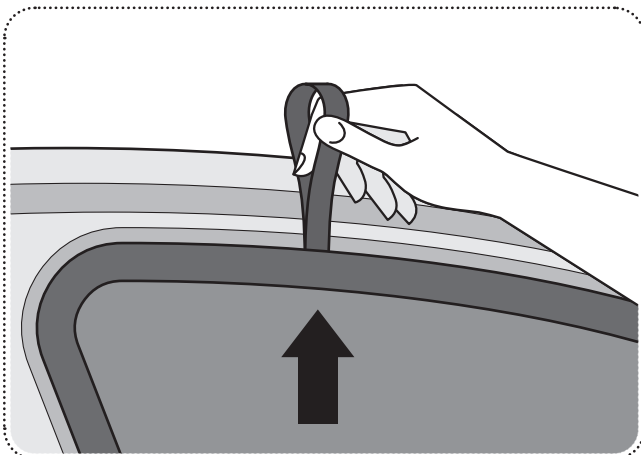
**ONLY for a car without roof rails: install the hooks**



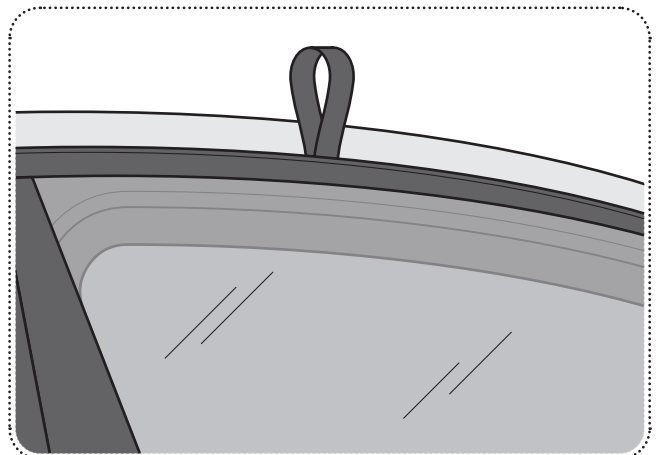
**8a** Open the door and pull the door weather stripping down.



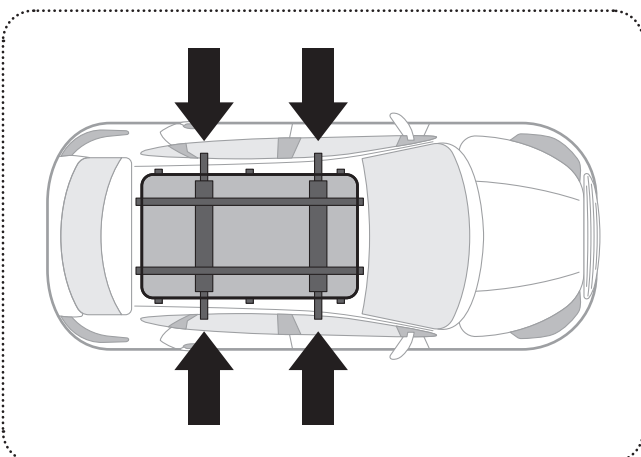
**8b** Holding the strap loop upwards, insert the hook around the middle of the door.



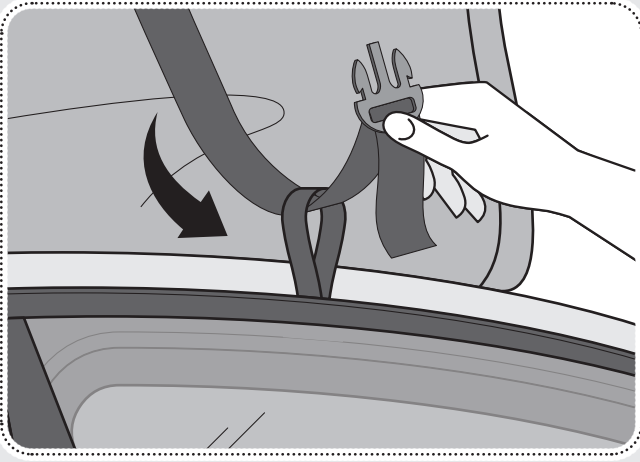
**8c** Pop the door weather stripping back in place.



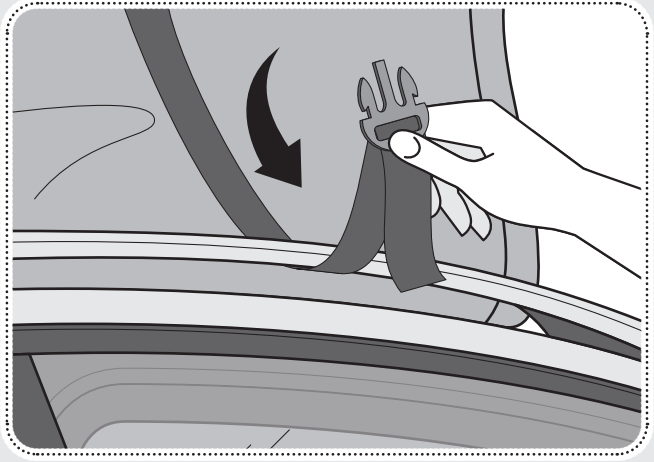
**8d** Close the car door.



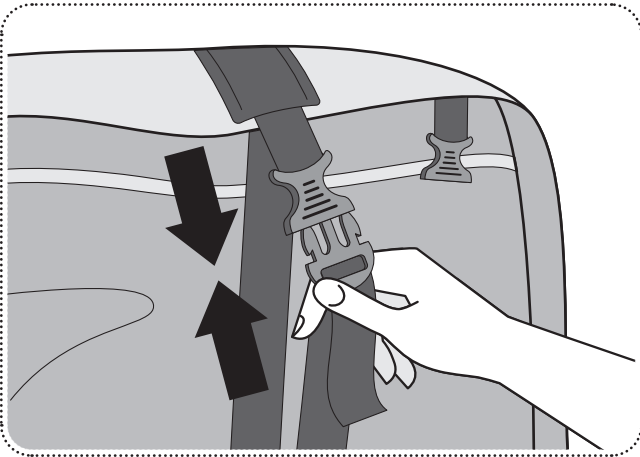
**8e** Repeat steps 8a–8d for all the four doors of the car



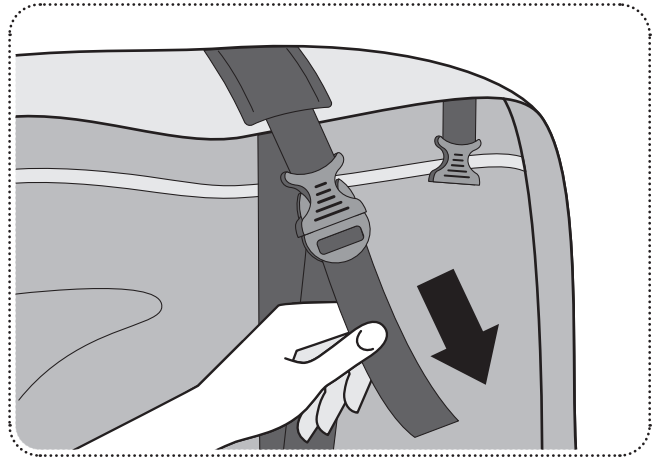
**9a** Guide the wide strap through the loop.



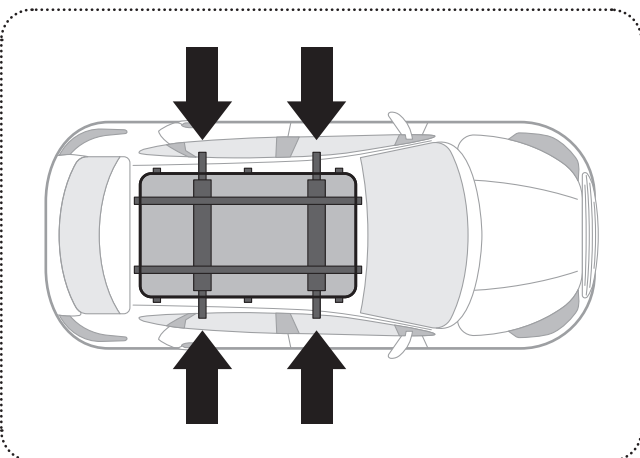
**9b** If your car has roof rails, guide the wide strap through the rail.



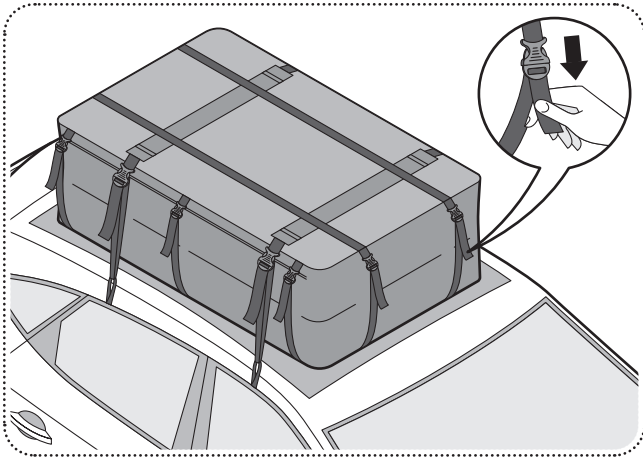
**10** Close the buckle.



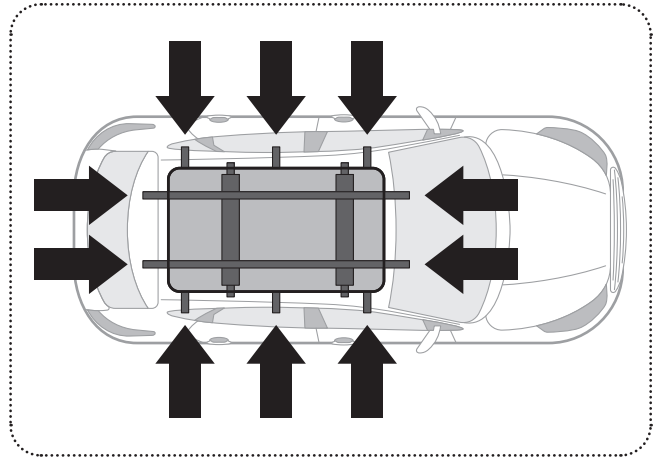
**11** Tighten the strap by pulling the loose end of the strap down.



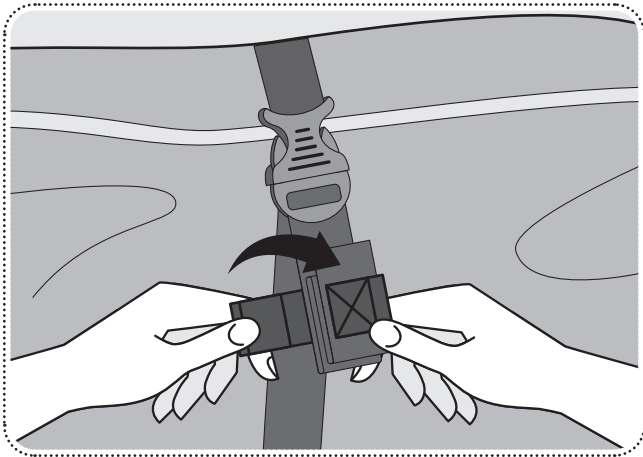
**12** Repeat steps 9-11 with all the four wide straps.



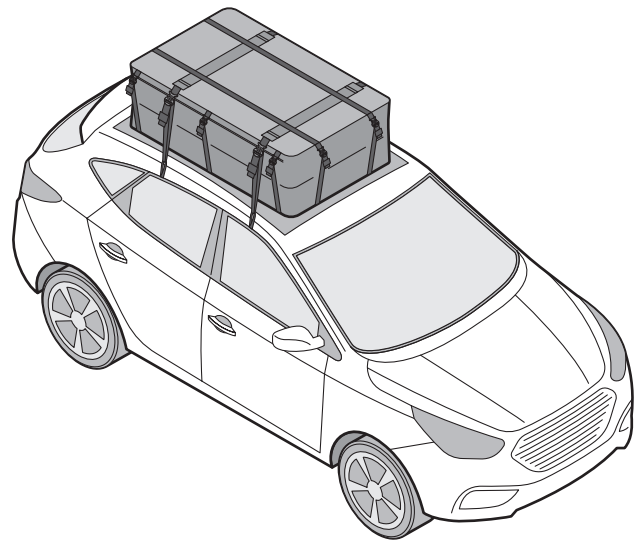
**13** Tighten the bag with the narrow straps on the sides of the bag.



**14** Make sure you tighten all the ten narrow straps.



**15** Fold the loose ends of all the straps and tie them up with the built-in hook and loop fasteners.



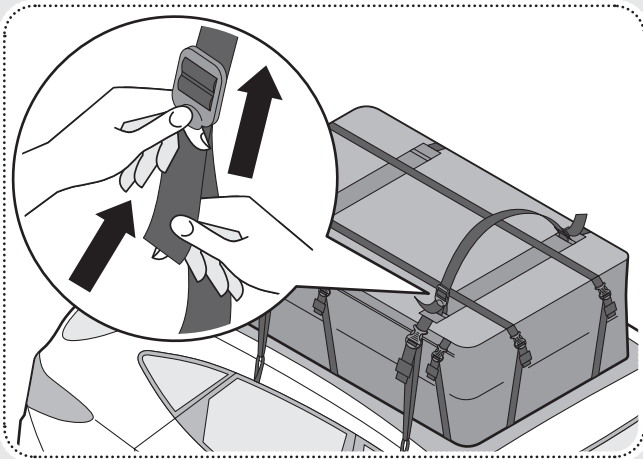
**Your baggage is safe now.  
Enjoy your journey!**

 **BagMate**

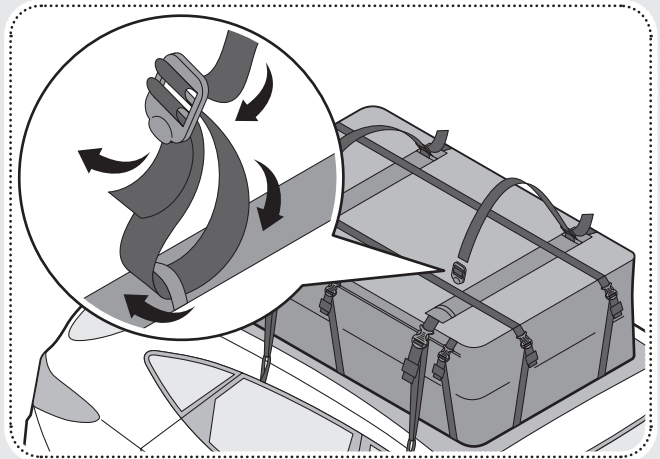


**IMPORTANT!** If your BagMate is wet after use, make sure it has dried up completely before you fold it for long-term storage!

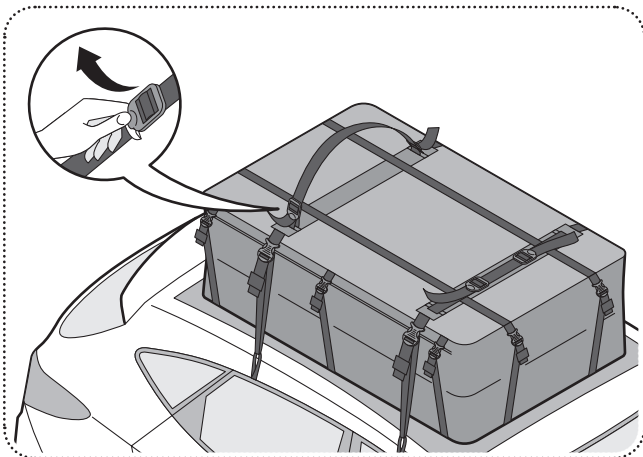
# Loading extra items on top of the BagMate



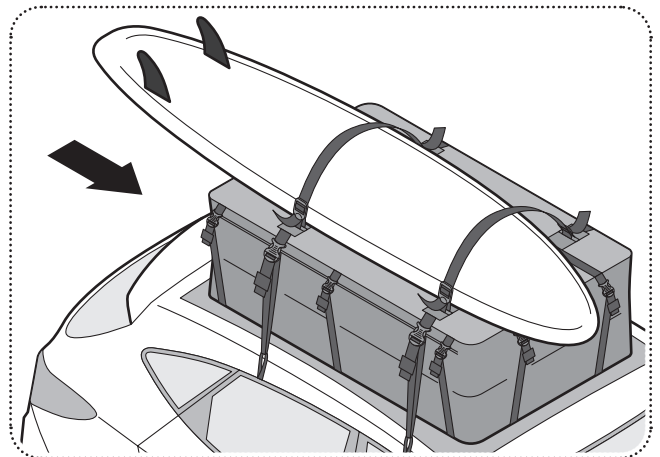
If you don't want to load anything on top of the BagMate, remove the strap and save it for the next time.



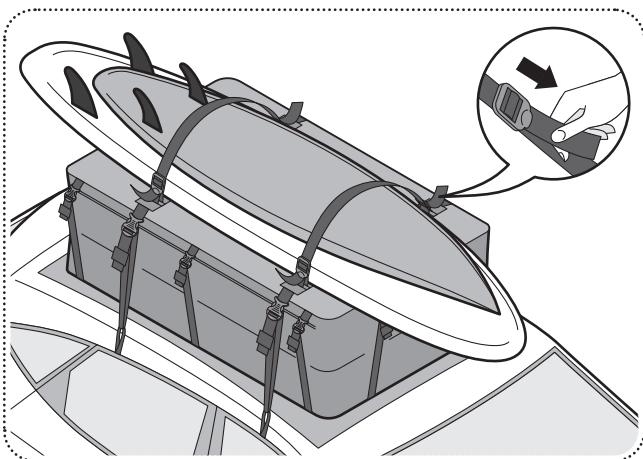
To attach the strap, guide it through the loop on the bag and through the buckle as shown here. Repeat for all four ends.



**1** Using the slide buckles, loosen the top wide cross-straps.



**2** Insert the item or items.



**3** Using the slide buckles, tighten the top wide cross-straps to fixate the items firmly.



**Enjoy Your Journey!**



# Thank you for choosing BagMate!

Be sure that this strong, large, and waterproof bag will help you keep your items organized and safe during your journeys.

## **We're here to help!**

At BagMate we stand behind our products, and our team will be glad to help you out with instructions, product care, or any other issue that you might have.

If you require assistance or advice, please email us at: [hello@myrhinoproducts.com](mailto:hello@myrhinoproducts.com)

**Our top priority is your satisfaction  
and confidence in products we  
manufacture.**