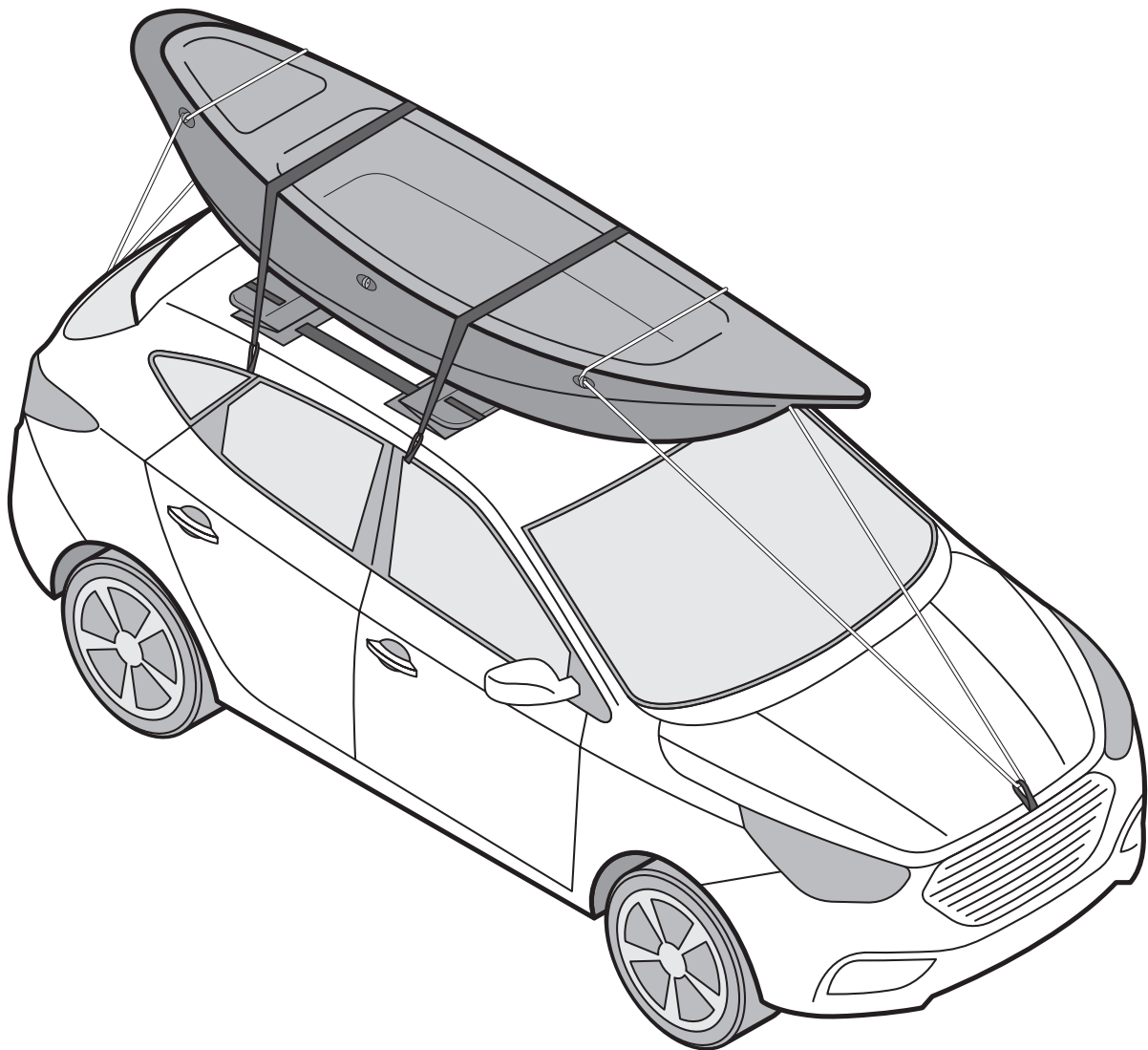




User Manual

TopUp Rooftop Rack

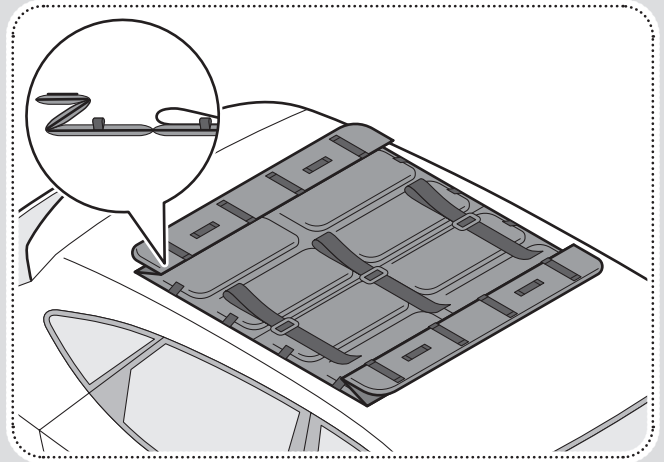
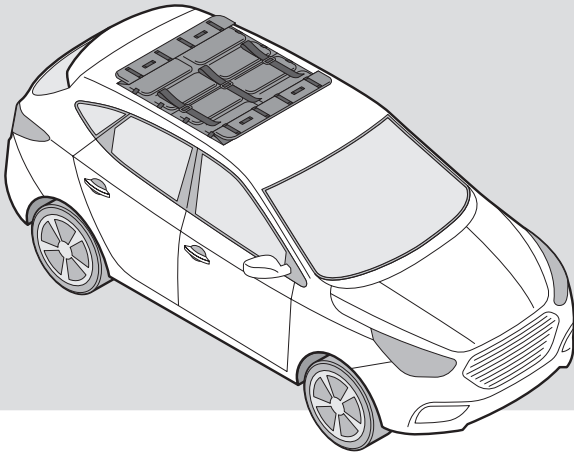


Stage 1: Rack Placement

Super-Safe Mode:

Rack covers the whole roof for optimal roof scratch protection.

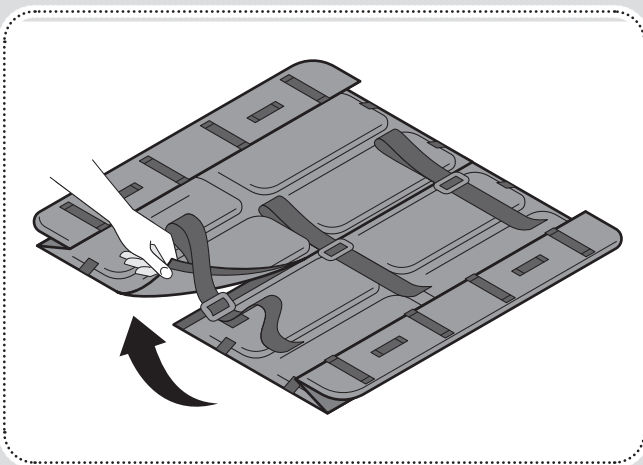
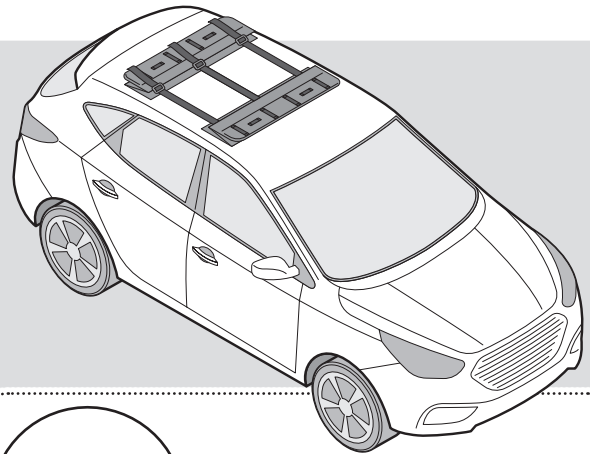
Use for light items only.



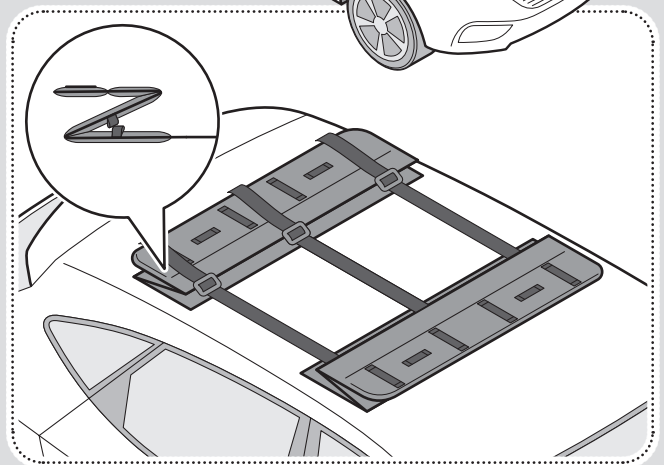
Place the TopUp on the center of the vehicle's roof. Fold the sides as shown on the picture.

Classic Mode:

Best for long, medium weight items, such as surfboards.



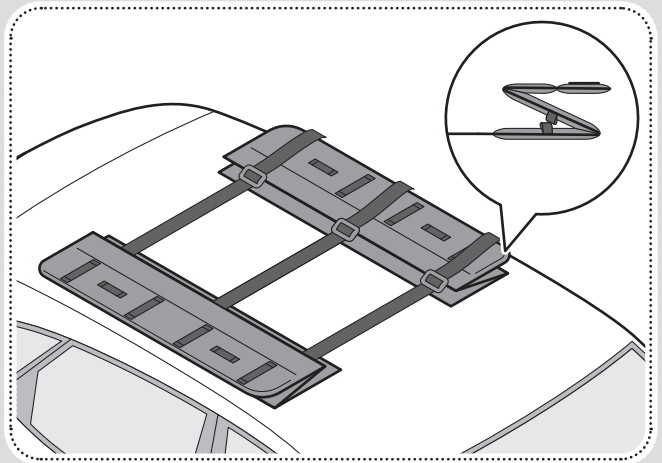
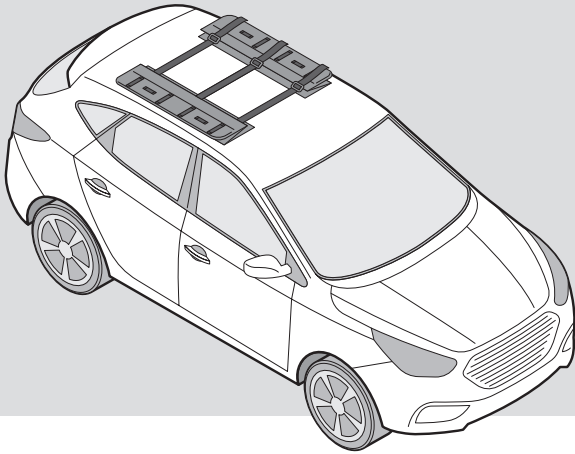
Open the hook & loop fastener that connects the two parts of the rack.



Fold the TopUp Rack 3 times and center the rack on the roof of the car as shown on the picture.

Extra-Heavy Mode:

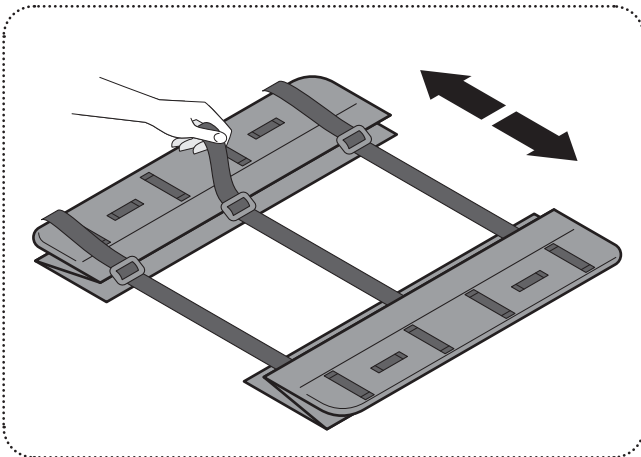
Best for heavier loads, up to 50 lbs.
Rack is placed along the sides of the car for better weight distribution.



Fold the TopUp Rack 3 times and center the rack on the roof of the car, while the rack parts are over the left and the right sides of the car roof.



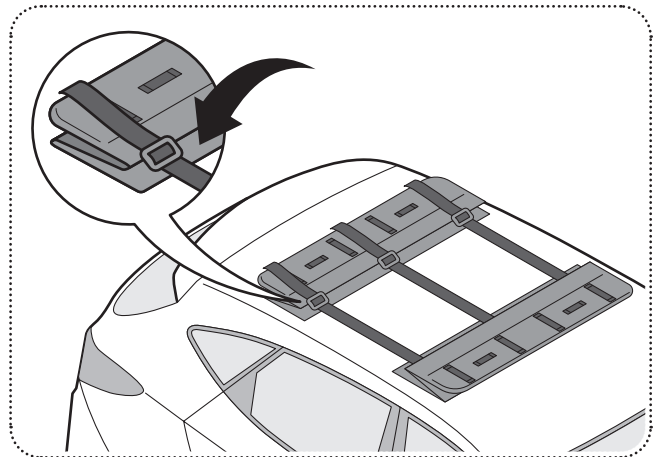
Tips and Warnings for all the Three Modes:



You're free to adjust the distance between the two parts of the rack.

Pull the loose end of the strap through the buckle to shorten the distance. Pull the central part of the strap to increase the distance.

Make sure all the 3 straps are of the same length.

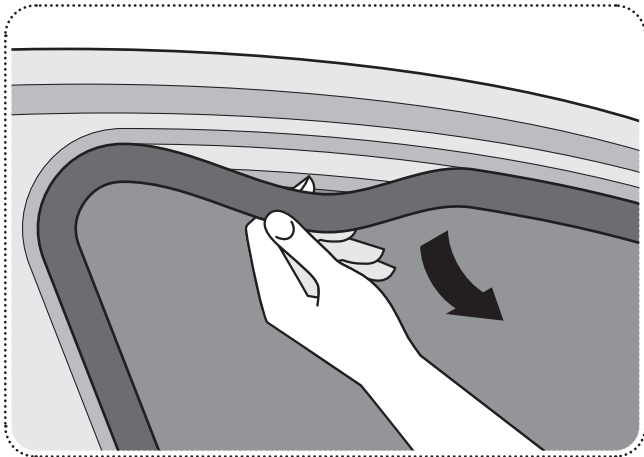


IMPORTANT:

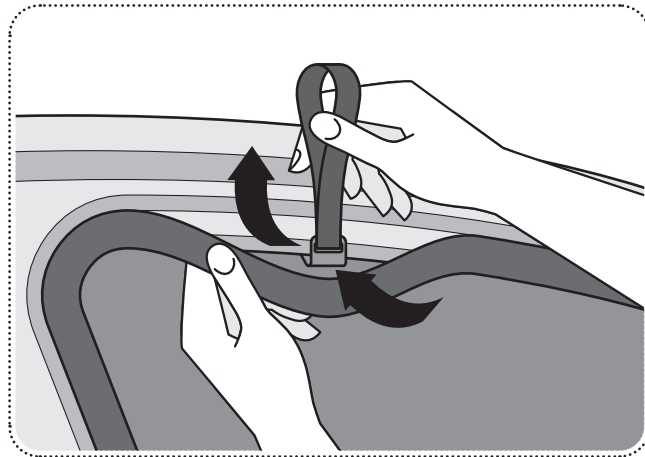
Make sure that the strap buckles are **ALWAYS ON TOP** and **NOT touching** the car roof.

Stage 2: Cargo fastening

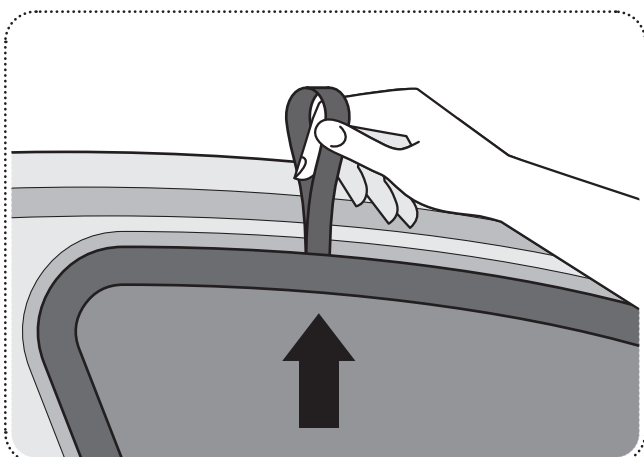
1 Install the hooks:



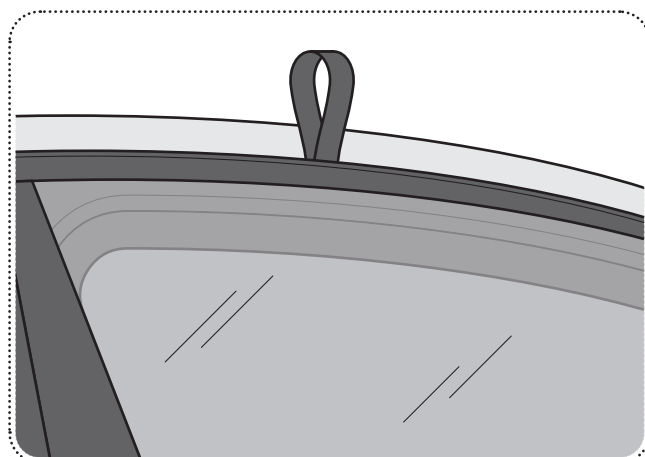
1a Open the door and pull the door weather stripping down.



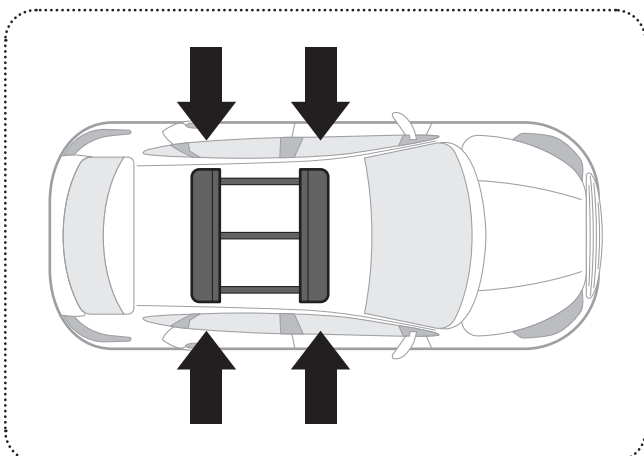
1b Holding the strap loop upwards, insert the hook around the middle of the door.



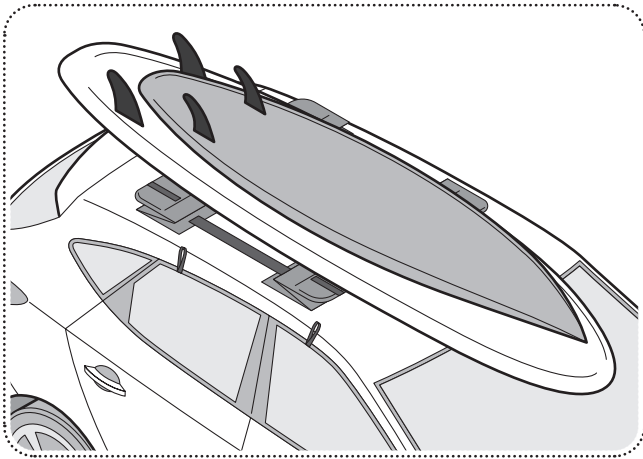
1c Pop the door weather stripping back in place.



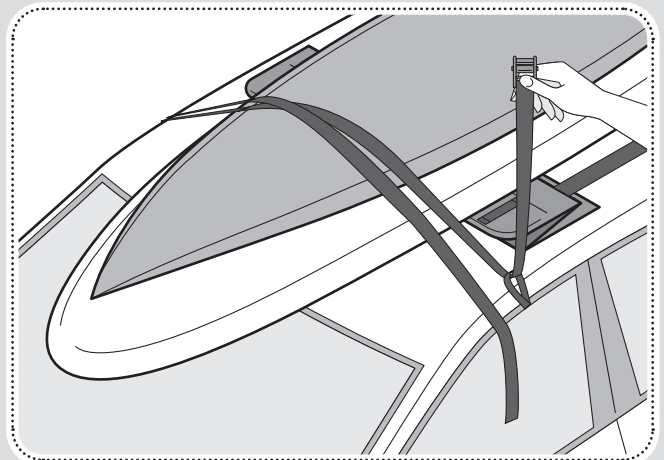
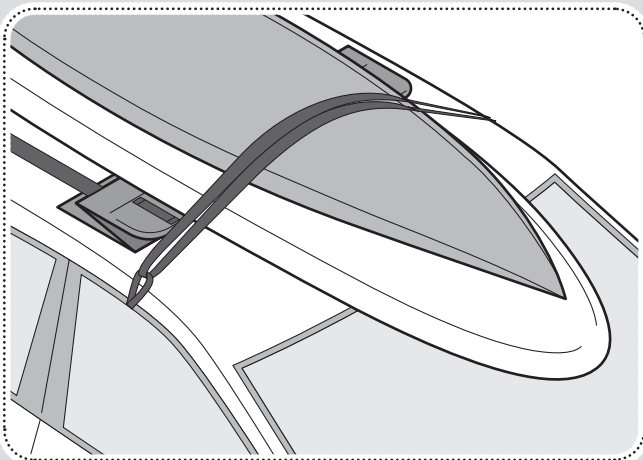
1d Close the car door.



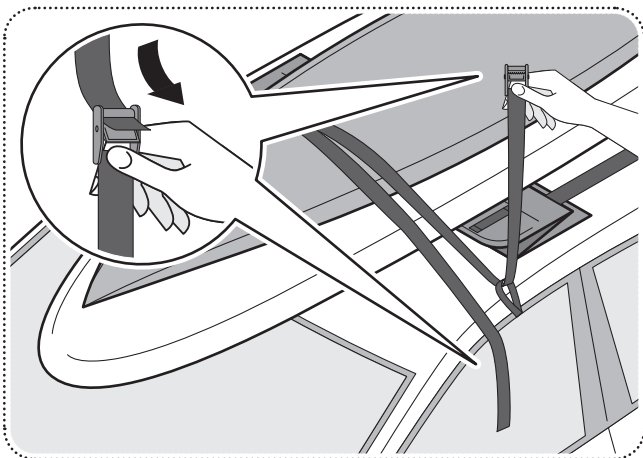
1e Repeat stages 1a-1d with all four doors of the car.



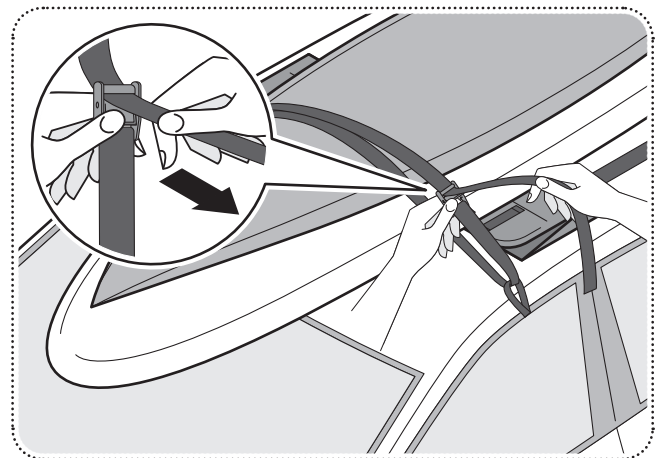
2 Load the cargo.



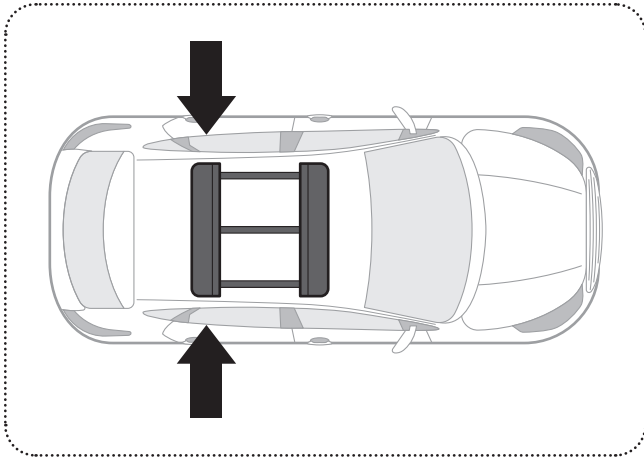
3 Guide the strap with the ratchet over the cargo and through the right and left loops in the front doors.



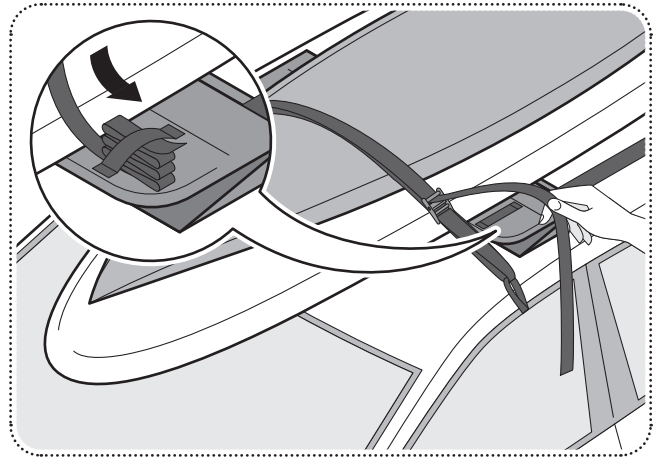
4 Insert the strap end into the ratchet.



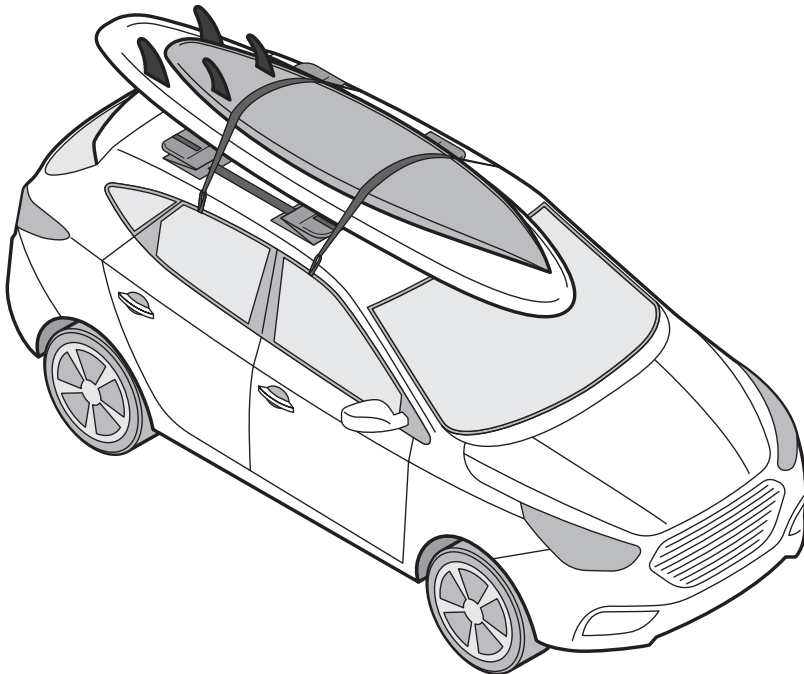
5 Tighten the strap by pressing the ratchet button and pulling the strap. Release the button to fixate the strap position.



6 Repeat step 3-5 with the second strap and the back door loops.



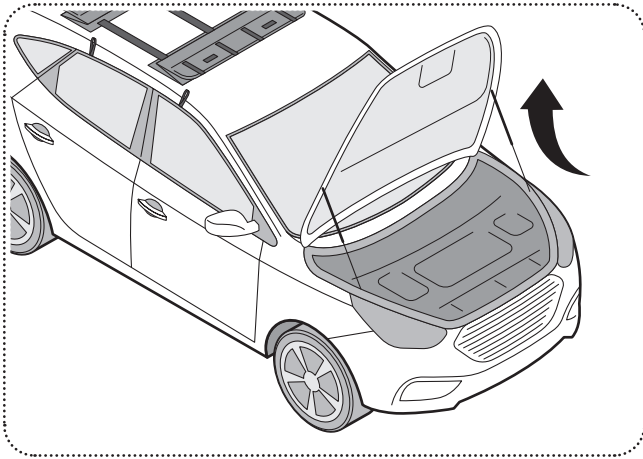
7 Hide the loose ends in one of the loops on the TopUp rack.



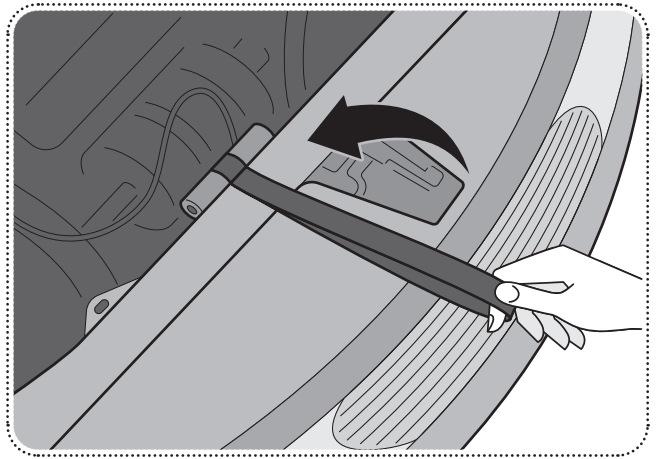
**Your baggage is safe now.
Enjoy your journey!**



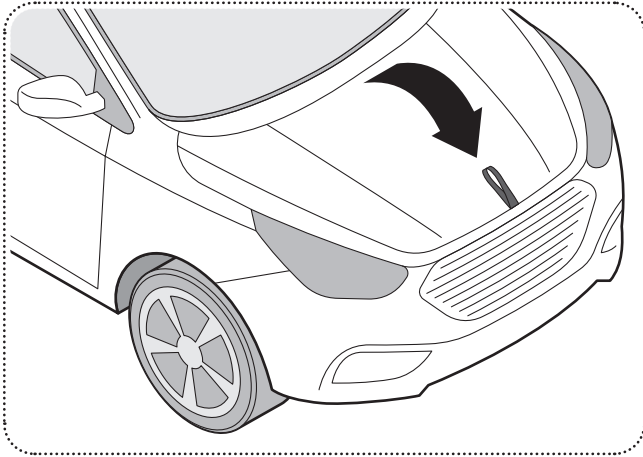
Stage 3: Optional Tie-Downs



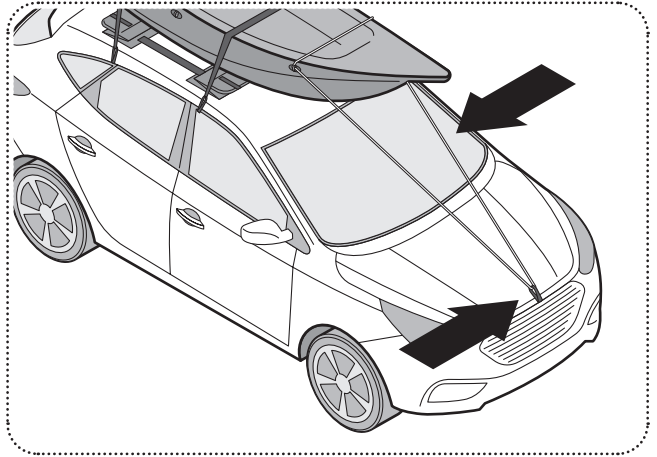
8 Open the car hood.



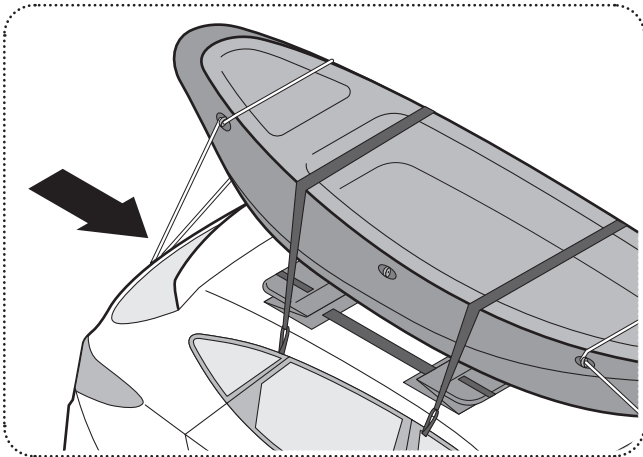
9 Insert the holder as shown on the picture while holding the loop outside.



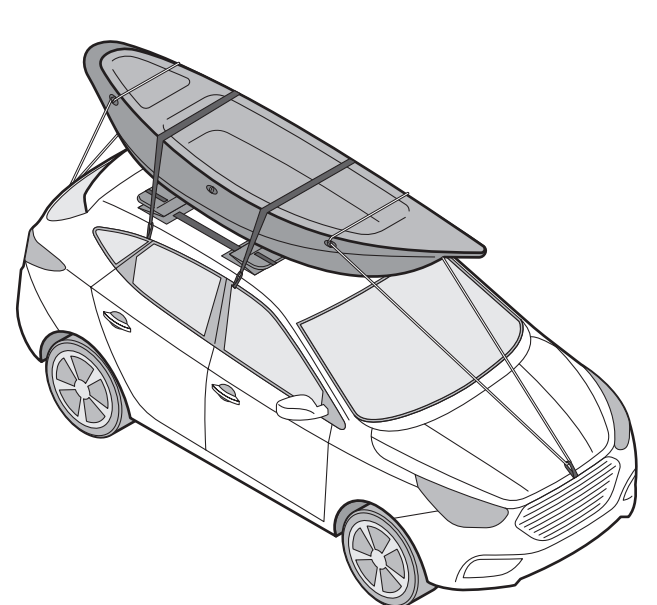
10 Close the car hood.



11 Fasten your cargo with the included rope through the loops on the cargo and the loop under the car hood.



12 Repeat steps 8-11 with the luggage door or with the car trunk.





Thank you for choosing BagMate!

Be sure that this versatile rooftop rack will help you keep your items organized and safe during your journeys.

We're here to help!

At BagMate we stand behind our products, and our team will be glad to help you out with instructions, product care, or any other issue that you might have.

If you require assistance or advice, please email us at: hello@myrhinoproducts.com

**Our top priority is your satisfaction
and confidence in products we
manufacture.**